

SHADOWSPEC UNITY™

MULTI CANOPY CANTILEVER UMBRELLA



P01/22



OWNERS MANUAL

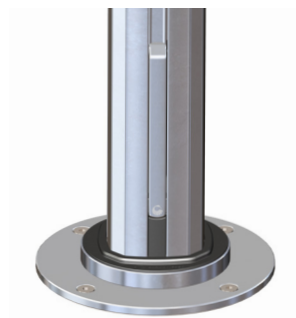
Installation, Operation, Care and Warranty



SHADOWLIFT™



SHADOWGLIDE™



SHADOWLOCK™



SHADOWHUB™



Read your manual in full before assembling your umbrella.

**To extend the life of your umbrella investment please read
and follow the care instructions on a regular basis.**

**Thank you for your purchase, we appreciate it.
Enjoy the shade, courtesy of Shadowspec.**



CONTENTS

Page

SECTION 1 - WARRANTY	4
Product Registration and Warranty Validation	5
SECTION 2 - UMBRELLA CARE AND MAINTENANCE	5
SECTION 3 - ASSEMBLY, INSTALLATION AND OPERATION	6
STAGE 1 Umbrella Location - Planning Your Umbrella Location	6
STAGE 2 Naming and Checking Your Umbrella Parts	7
STAGE 3 Installation of Your Umbrella Mount	8
Option 1 - Freestanding Base	8
Option 2 - In-Ground Anchor	9
Option 3 - Surface Plate	10
Option 4 - Wall Base Bracket	12
STAGE 4 Assembling and Mounting Your Umbrella(s)	13
Stage 4A - Assembly of Your Umbrella(s)	13
Stage 4B - Mounting Your Umbrella(s)	14
Stage 4C - Fabric Canopy Installation	16
STAGE 5 Operating Your Umbrella	17
SECTION 4 - ACCESSORIES	18
4A - LED Lights	18

SECTION 1 – WARRANTY

THE SHADOWSPEC WARRANTY:

Shadowspec guarantees that Shadowspec Unity Umbrellas that are installed in accordance with our guidelines will be free of defects in materials and workmanship for the period of time as set out and specified below:



**Fabric
Warranty****



**Frame
Warranty****

**'Fabric' warranty relates to your umbrella Fabric Canopy. Protection Cover warranty is 3 years.

**In commercial applications, the Fabric and Frame warranty is 3 years.

PLEASE NOTE:

In commercial applications, the Fabric and Frame warranty is 3 years.

'Fabric' warranty relates to your umbrella Fabric Canopy. Protection Cover warranty is 3 years.

The obligation of Shadowspec under this warranty is limited to faulty manufacturing, defective materials and mechanical failure when your umbrella has been used and cared for appropriately from the date of invoice. If an umbrella is repaired under warranty, the warranty period will not be extended.

Shadowspec shall, at its sole discretion, determine whether repair or replacement is appropriate. This warranty does not cover the following:

- Damage caused by an accident, negligence, storm, wind, accumulation of water or snow, or caused by an act of God, incorrect installation, not following Shadowspec's Care and Maintenance instructions, incorrect use or natural ageing and fading.
- Damage caused by exposure to hazardous atmospheric situations due to industry or a high slat level.
- Small colour variations between the fabric and the colour samples and between the components and profiles, which are caused by the manufacturing process.
- Damage by a third party.
- Repair by a third party.

Your Unity Umbrella has been designed to handle all conditions in which people are comfortable relaxing outdoors, and more. Our recommendation is that when the weather outside is uncomfortable to sit down and relax in, that you lower your umbrellas. Specifically, our umbrellas have been tested to wind levels at and above Beaufort 5. This is subject to your umbrella being sufficiently anchored. To avoid possible wind damage, we recommend that your umbrella be closed in wind levels above this point (40kmh/25mph) to protect your investment and extend the useful life of your umbrella.

This warranty does protect against your umbrella Fabric Canopy becoming unserviceable due to strength loss from normal usage and exposure conditions.

The foregoing sets out the extent of this warranty.

Shadowspec shall not otherwise be liable or responsible for any direct, indirect, incidental or consequential damage, costs or losses of any kind arising out of or in connection with your umbrella or components or for any delay by Shadowspec or the component manufacturer in undertaking repairs or replacement under this warranty.

Except as expressly provided herein, all other warranties, representations, conditions, undertakings, rights, duties or liabilities, whether arising by implication of law or otherwise, are hereby expressly excluded.

If you need to enquire about a warranty claim, please either contact Shadowspec direct or the sales agent you purchased your Unity from.



PRODUCT REGISTRATION

It's important to us that your product is looked after and that starts with registration to validate your warranty. Please visit our website via the link below to register your product.

www.shadowspec.com/register



SECTION 2 – UMBRELLA CARE AND MAINTENANCE

Regular care and maintenance of your umbrella is essential.

The following points will assist in keeping it looking smart and clean while also ensuring its ongoing performance and reliability.

- To extend the life of your umbrella as long as possible, we recommend purchasing a Protection Cover for your umbrella and covering your umbrella with it whenever it is not in use.
- Close and cover your umbrella in adverse conditions. This includes heavy rain, snow, hail and high wind.
- Take care when opening or closing your umbrella - always check for obstacles first (i.e. trees, ladders, furniture, people).
- Umbrella should never be left stored/collapsed for long periods while wet. Always ensure that the fabric is thoroughly dry before storing or closing for long periods of time.
- Any early signs of mould or mildew must be removed as soon as it's discovered.
- Your umbrella Fabric Canopy is removable and fully washable. See fabric cleaning instructions below.
- Never clean any part of your umbrella with a corrosive/abrasive product or a high pressure hose.
- Never use waterproofing or cleaning sprays on your umbrella fabric without seeking appropriate advice first.
- All moving parts on your umbrella are best maintained with an annual application of dry lubricator, such as a wax based spray.
- From time-to-time, inspect your umbrella and ensure all the accessible screws/bolts and other fixings remain tight. If they appear loose, tighten them with the supplied toolkit.

Tips: 1. *Keep your toolkit stored in a safe place for future maintenance.*

2. *For commercial applications, contact us for our preventative maintenance guides.*

FABRIC CLEANING INSTRUCTIONS:

Shadowspec Fabric Canopies are manufactured from the most durable marine fabrics, thread and designs available. Shadowspec Fabric Canopies should be cleaned on a regular basis so dirt isn't allowed to build-up and become embedded in the fabric. You can clean your Fabric Canopy without removing it from the Frame if you prefer, or it's as easy to remove as it was to put on. Brush off any loose dirt and particles, hose it down and clean with lukewarm water (temperature) and mild soap. Rinse again to remove all the soap before allowing the Fabric Canopy to air dry. Do not use heavy detergents!

If you have found a stain that won't come off with our standard cleaning instructions, a '303' Fabric Cleaner is recommended. First, trial a small area of the fabric to ensure there is no discolouration or adverse effect. After cleaning it's important that you treat the fabric with a water repellency agent. We recommend the '303' protectant is used to restore the repellency.

Note: When washing or cleaning, do not subject to excessive heat as the fabric will shrink. Do not steam press or dry in an electric or gas dryer. Always allow your Fabric Canopy to air dry. If you take the umbrella down for winter, take time to clean and air dry your Fabric Canopy before storing it in a well ventilated area.

For full manufacturers recommendations regarding care of our Canopy Fabrics, visit www.sunbrella.com for detailed care instructions.



SECTION 3 - ASSEMBLY, INSTALLATION AND OPERATION

STAGE 1 UMBRELLA LOCATION

PLANNING YOUR UMBRELLA LOCATION:

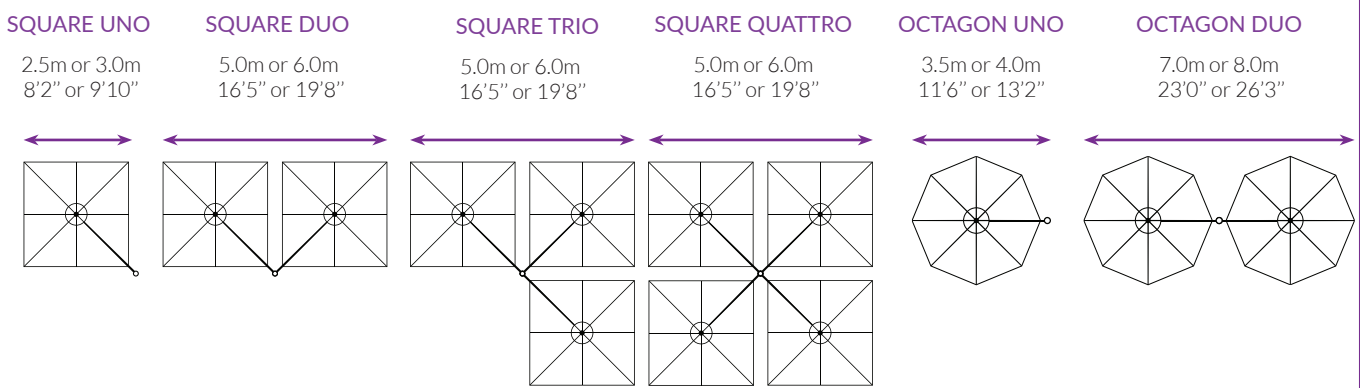
Special care is needed when selecting the best location for your umbrella. Some key points to keep in mind are:

1. Check that your chosen installation position will give you optimal coverage of the area you're looking to shade.
2. Consider the direction the sun travels during key months of the year also. If unsure, we recommend downloading a free-to-use sun-tracker App to your smartphone such as: **"Sun position and path" by siranet.**
3. If you are installing a Unity Uno, Duo or Trio and wish to add additional umbrella Frames to your Unity Mast at a later date, ensure that you position your umbrella to allow room for this.

NOTE: For assistance with orientating your umbrella correctly, see configuration details in **Figure 1** below.

Figure 1 - Unity Umbrella Configurations and Key Dimensions

Configurations:



Key Dimensions:

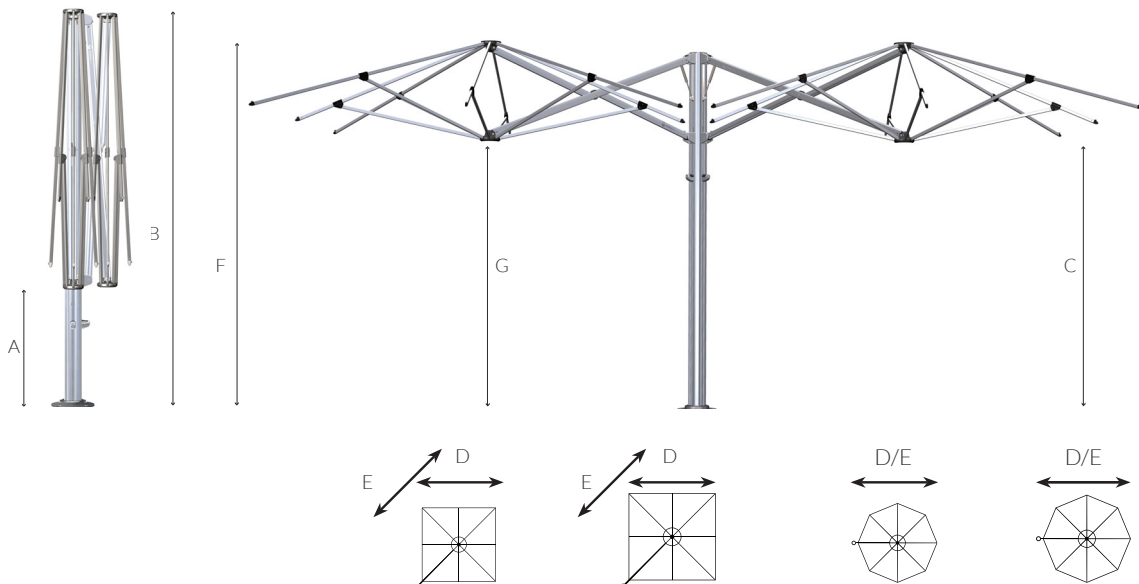


Diagram Legend

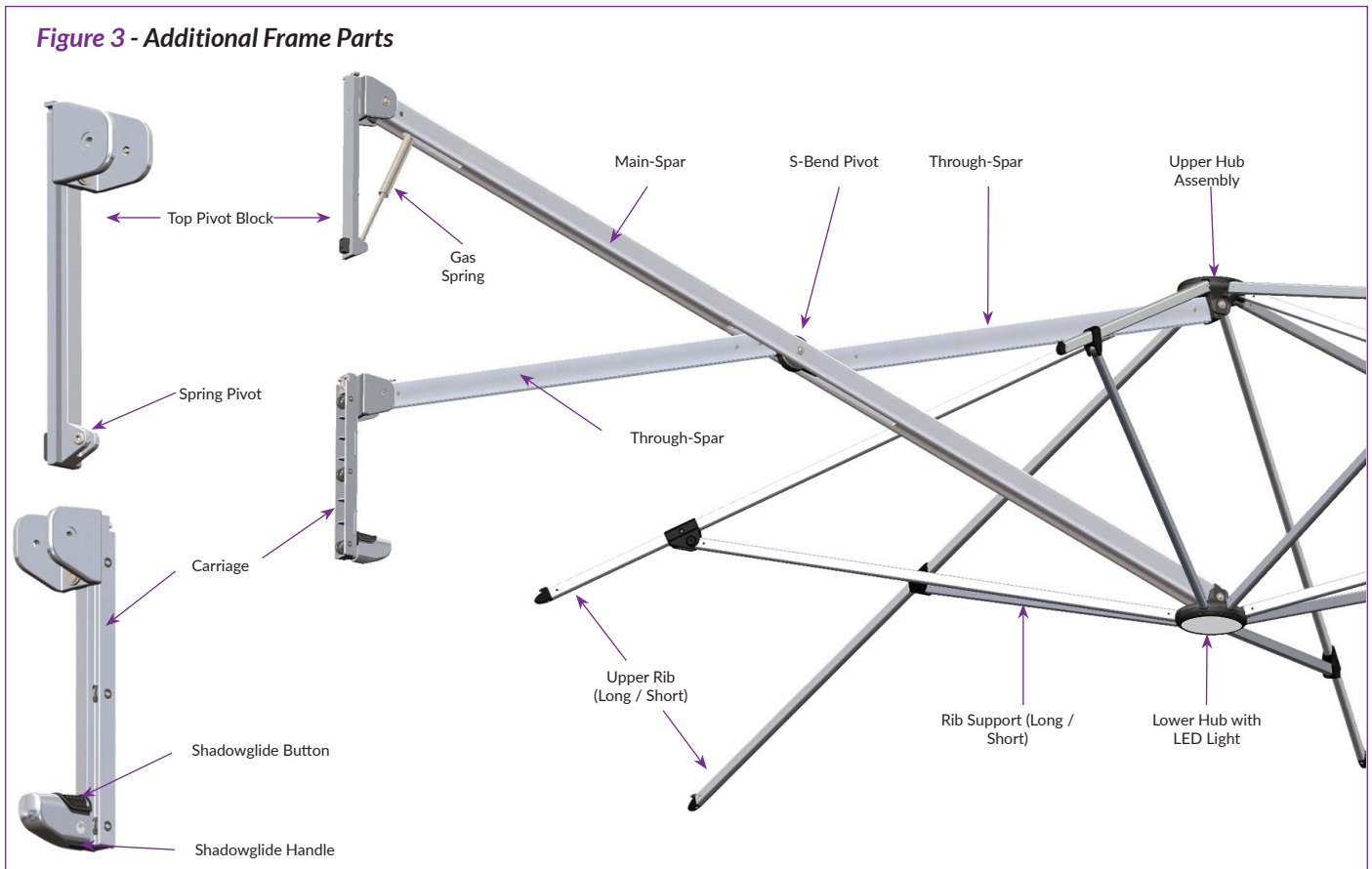
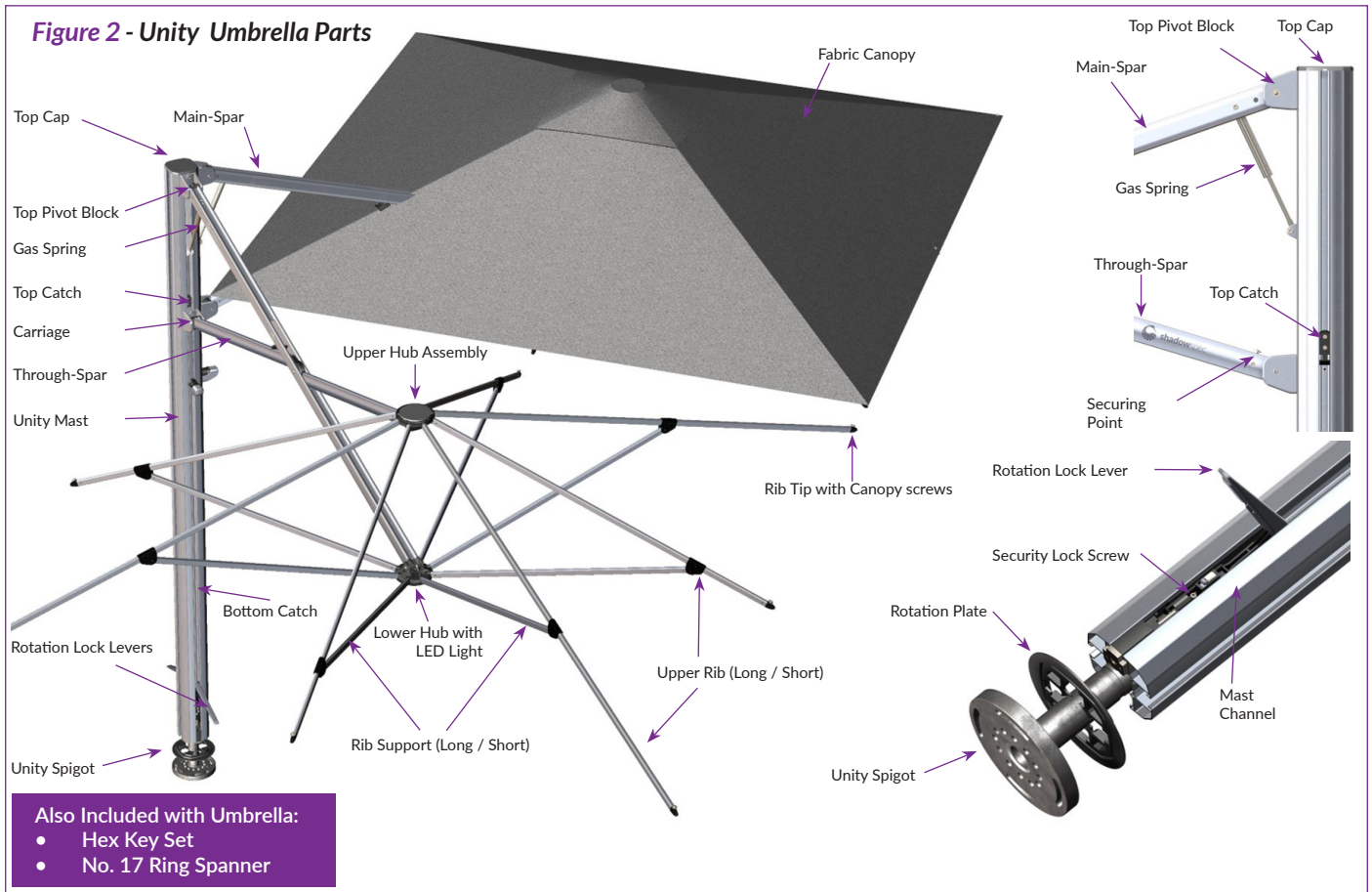
	2.5m	8'2"	3.0m	9'10"	3.5m	11'6"	4.0m	13'2"
A Ground to central Frame hub when closed*	870mm	2'10"	623mm	2'1"	1096mm	3'7"	848mm	2'9"
B Height of umbrella to top cap of Mast*	2916mm	9'7"	2916mm	9'7"	2916mm	9'7"	2916mm	9'7"
C Ground to lower outer edge of Canopy*	2235mm	7'4"	2232mm	7'4"	2249mm	7'5"	2190mm	7'2"
D Centre of Mast to outside edge of Canopy	2665mm	8'9"	2993mm	9'10"	3500mm	11'6"	4000mm	13'2"
E Diagonal from centre of Mast to corner	3639mm	11'11"	4101mm	13'6"	3473mm	11'5"	3950mm	13'0"
F Total height to top of Canopy*	2905mm	9'6"	2830mm	9'3"	2985mm	9'10"	2908mm	9'7"
G Ground to central Frame hub when open*	2163mm	7'1"	2084mm	6'10"	2239mm	7'4"	2162mm	7'1"

*Freestanding Base installations will add 165mm to these measurements. Adding Freestanding Base wheels also will add a further 45-80mm/2-3". All sizings are +/- 2.5mm / 3/32" and subject to change without notice.
NOTE: For the Unity Duo, Trio and Quattro the gap between adjoining umbrellas is 150mm / 6"

STAGE 2 NAMING AND CHECKING YOUR UMBRELLA PARTS

When unpacking your Unity umbrella please check you have all the correct parts pictured below before beginning the assembly. If any parts are missing please contact support@shadowspec.com to create a ticket to resolve.

You will need to refer back to this page so why not earmark it for quick reference whilst you're assembling your umbrella.



STAGE 3 INSTALLATION OF YOUR UMBRELLA MOUNT

We offer four different mounting options. Please go to the section of your purchased mounting option. We recommend that you read through all of the instructions before starting. It's worth it, trust us.

Step 1 First, unscrew the Security Lock Screw under the Rotating Lock Lever - See [Figure 5](#).

Step 2 Remove Spigot from your umbrella Mast.

Step 3 Affix the Spigot to your mounting option of choice (**Options 1 - 4**).

Note: Your additional Frame will be affixed to the Unity Mast in a different Mast Channel based on your selected Frame shape. Square Frames will be affixed in the channels beside each other. Octagonal Frames will be affixed opposite each other. See [Figure 4](#).

Figure 4 - Square and Octagonal Frame Orientation

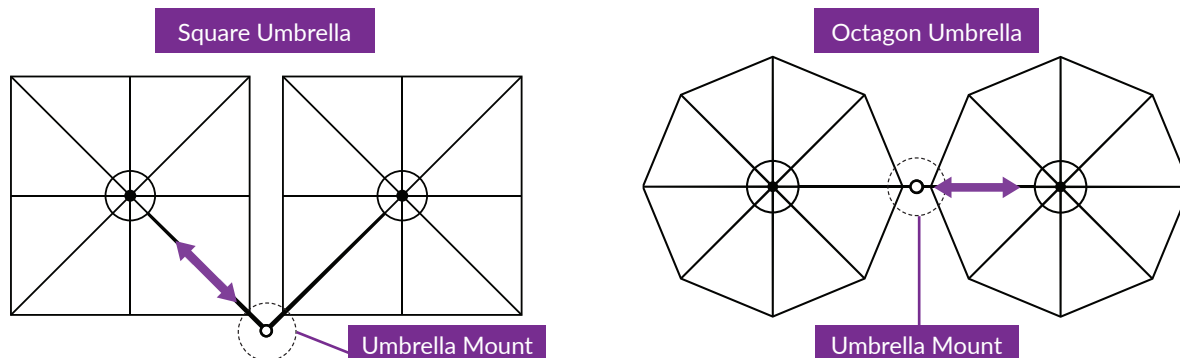
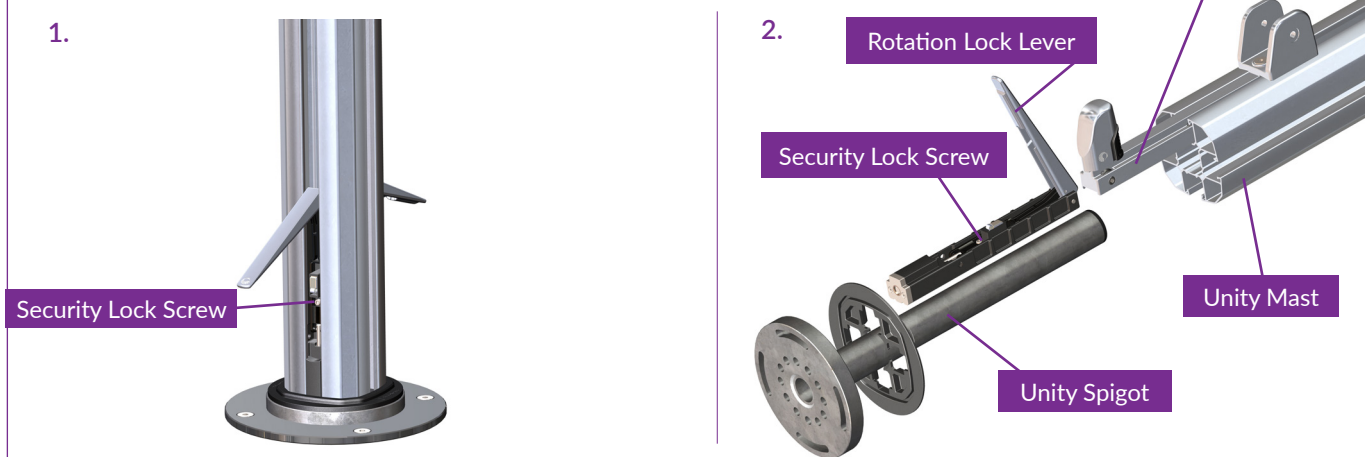


Figure 5 - Location of Security Locking Screw



OPTION 1 - FREESTANDING BASE

For installation you will require:

- An adjustable spanner (there is a No. 17 Ring Spanner included with umbrella box)
- Hex Key Set - Included in your umbrella box
- The complete Freestanding Base kit. See [Figure 6](#) of included components
- 12x Concrete Pavers - Not included. Size required: 400mm x 400mm x 40mm / 1'3" x 1'3" x 1.5" which can be purchased from your closest building supply store eg Home Depot / Bunnings.
- Optional: Heavy Duty Wheels / Castors

Step 1 Turn the Freestanding Base upside down.

Step 2 a. Screw the supplied Threaded Feet into each corner of the underside of the Base.

b. If you've purchased the Optional Wheels / Castors, screw them into the corners instead. See [Figure 6.5](#).

Step 3 Return the Freestanding Base to its correct orientation, supported on its Threaded Feet / Optional Castor.

Step 4 Affix the Spigot to the Freestanding Base using the provided Unity Screws and Nuts. It's important to use the holes between the pavers to ensure there's enough clearance when you insert the pavers in Step 6

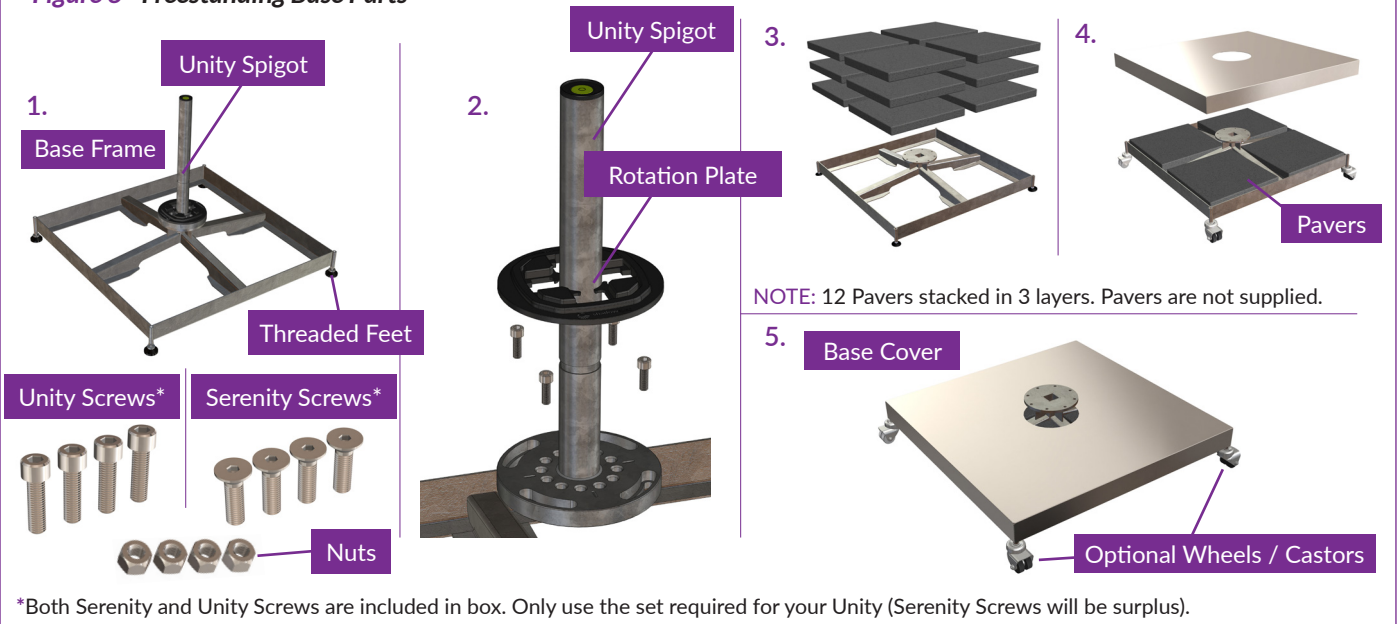
Step 5 Adjust the feet or wheels to ensure the base is level, the Spigot has a spirit level built-in to assist.

Step 6 Place the Freestanding Base in the desired location.

Step 7 Insert the 12 pavers for ballast then slide the base cover over top.

Step 8 Slide your Rotation Plate over the Spigot and move on to **Stage 4**.

Figure 6 - Freestanding Base Parts



OPTION 2 - IN-GROUND ANCHOR

For installation you will require:

- Wheelbarrow and Spade.
- Concrete Mix - Not included. Can be purchased from your closest building supply store eg Home Depot / Bunnings.
- Spare wooden planks or other bracing materials
- Hex Key Set - Included in your umbrella box

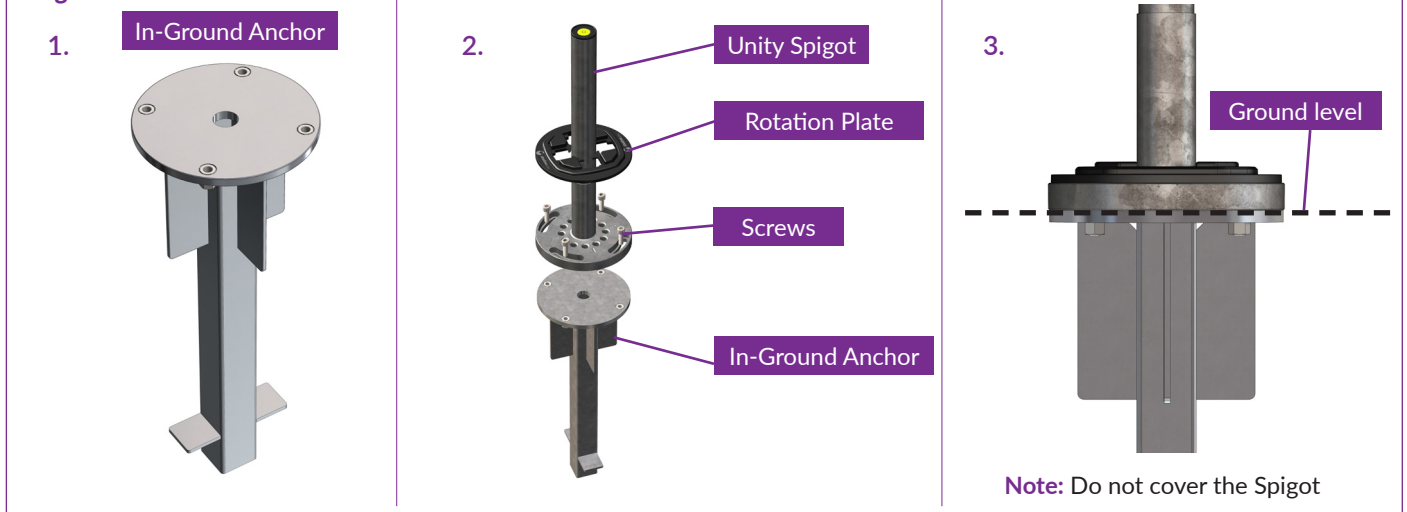
Step 1 Choose your site and ensure the ground is level. Check for buried utilities.

Step 2 Dig your footing hole at least 500mmW x 500mmL x 600mmH / 1'7" x 1'7" x 1'11". It is recommended that you flare the footing hole slightly at the base for extra stability - See **Figure 8**.

Step 3 Using the Screws supplied with your Umbrella, fit the spigot to the In-Ground Anchor. - See **Figure 7**.

Step 4 Prepare the concrete mix in your wheelbarrow.

Figure 7 - In-Ground Anchor



Step 5 Position the In-Ground Anchor in the hole and use the spirit level on the Spigot to ensure the anchor is level. See **Figure 7.3** for where the ground level should be. Ensure orientation is correct for how you wish to position your umbrella - see **Figure 1** and **Figure 8** (pages 6 and 10).

Warning: It is vital that you ensure the Bolt holes on the Spigot & In-Ground Anchor are orientated correctly.

Step 6 Pour concrete into the hole up to the bottom of the Spigot base.

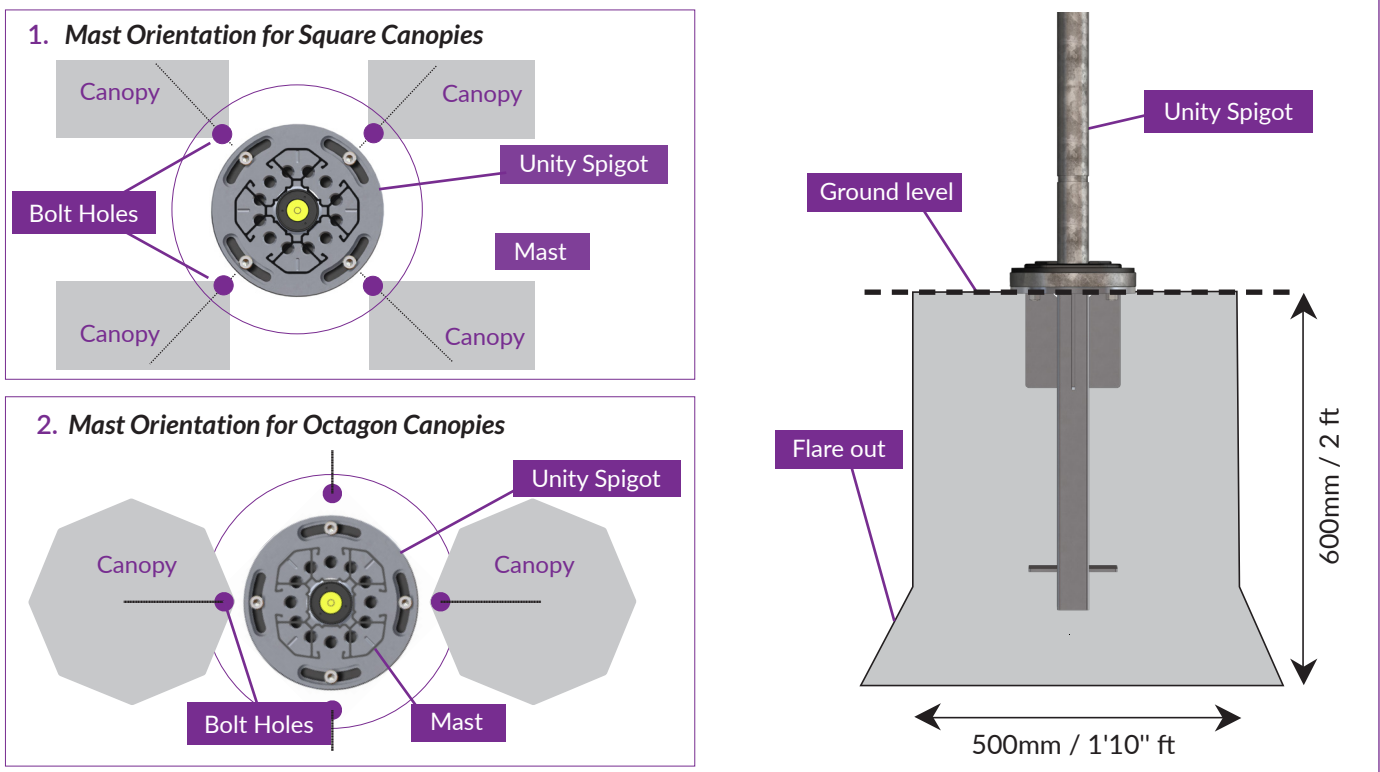
DO NOT cover any part of the Unity Spigot. See **Figure 7**.

Step 7 Use bracing and support to ensure the In-Ground Anchor and Spigot stay level.

Step 8 Allow at least 24-hours for the concrete to cure as per your chosen products recommendation.

Step 9 Slide your Rotation Plate over the Spigot and move on to **Stage 4**.

Figure 8 - In-Ground Anchor Installation, Mast Orientation and Suggested Specifications



OPTION 3 - SURFACE PLATE

For installation of the Surface Plate you will require:

- Hex Key Set - Included in your umbrella box
- Corrosion proof washers for leveling base (316 Stainless Steel Bolts, Nuts and Washers are recommended)

For installing to a wooden deck you will require:

- 4 x 12mm CSK Bolts and matching Nuts - not supplied - length will depend on the thickness of the timbers

Or, for installing to a concrete slab you will require:

- 4 Dyna-Bolts or Concrete Screws - not supplied - recommended at least 100mm / 4" long)

Step 1 Choose your site. It's important that the chosen site is clean, level and structurally sound. See **Figure 1** and **Figure 8** (pages 6 and 10) for correct orientation for either your square or octagon canopies.

Warning: It is vital that you ensure the Bolt Holes on the Spigot & In-Ground Anchor are orientated correctly.

Step 2 Place the Surface Plate in your chosen location. Install Spigot on top of Plate - use bolts included with umbrella see **Figure 9**.

Step 3 Check the spirit level on the top of the Spigot.

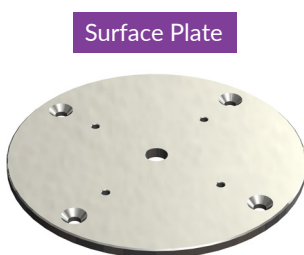
Step 4 Slide washers under the base to level if required. Use corrosion resistant washers.

Step 5 Mark the position of the bolt holes on the surface.

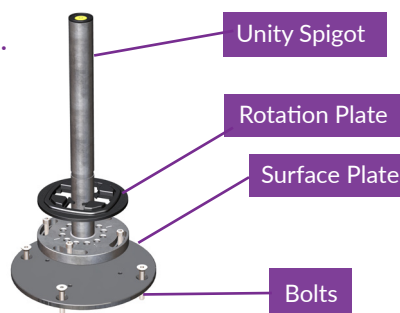
- Decking: Ensure your bolts are running through a joist for stability. You may need to lift up some planks and install extra timber joists or bracing between existing joists - see **Figure 10**.
- Concrete Slab: Recommended minimum depth of 100mm / 4" (reinforced) - See **Figure 11**.
- It's also recommended to use washers to space the plate on the decking to allow water to escape to minimise water damage to the deck.

Figure 9 - Surface Plate

1.



2.



3.



- Step 6** Drill pilot holes on the marks and check that the pilots are in the right place by laying the Surface Plate over the top of them, and then if correct, drill the proper holes.
- Step 7** Use your bolts to secure the Surface Plate and Spigot to the chosen spot.
- Step 8** Slide your Rotation Plate over the Spigot and move on to **Stage 4**.

Figure 10 - Securing Surface Plate to Wooden Deck (suggestion only)

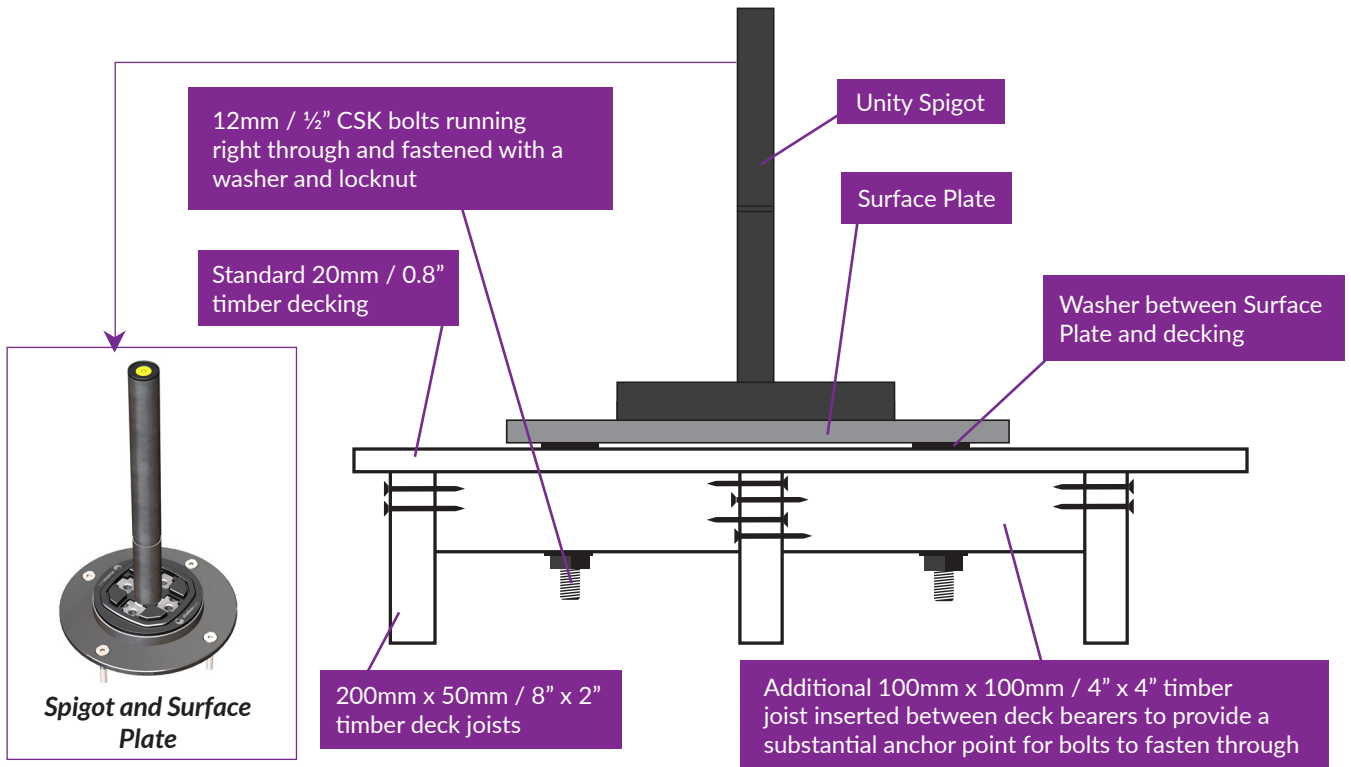
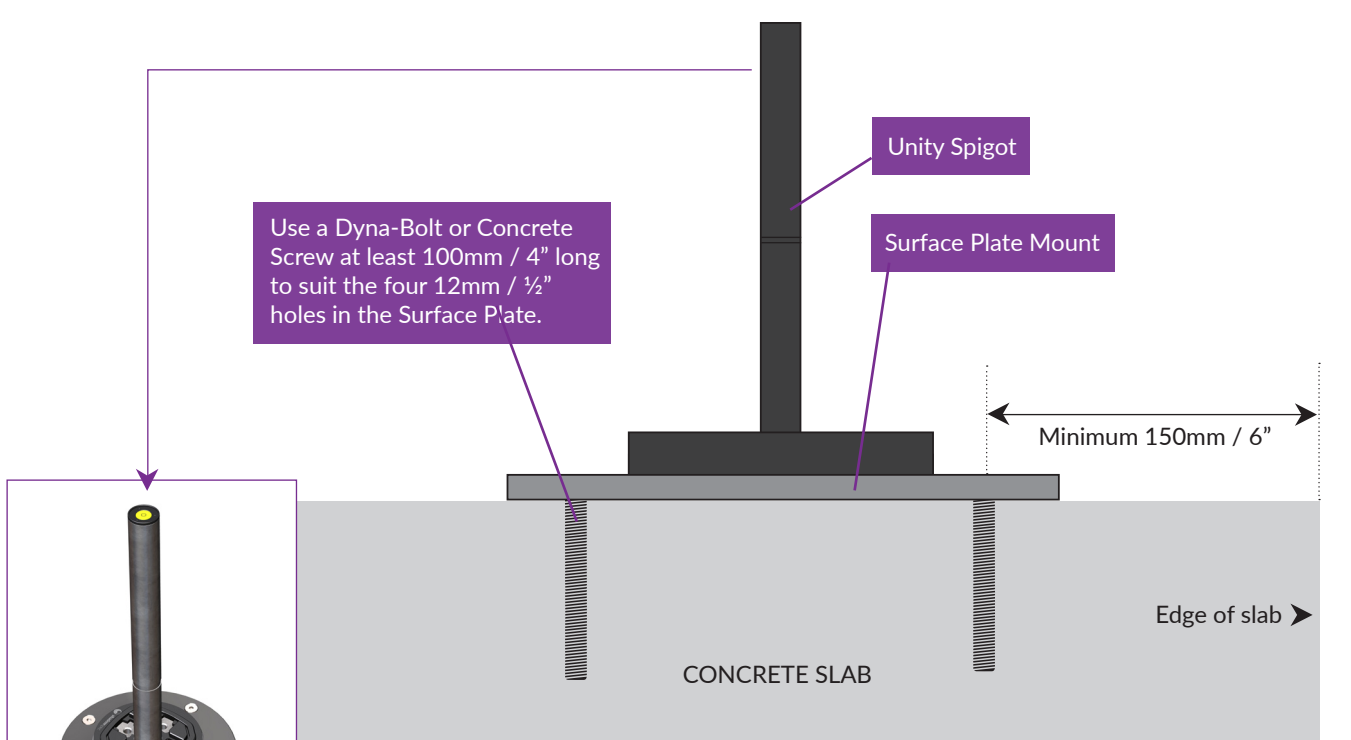


Figure 11 - Securing Surface Plate to Concrete Slab (suggestion only)



Recommended minimum depth of reinforced concrete slab 100mm / 4".
 NOTE: No screws or fixings to be within 150mm / 6" of closest edge of concrete slab.

OPTION 4 - WALL BASE BRACKET

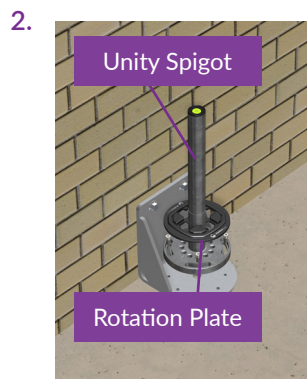
For installation you will require:

- 4 X M16 Bolts and Washers.
- Hex Key Set - Included in your umbrella box
- Additional Spanner / Socket wrench required for M16 Bolts.
- Wall Base Bracket.

(Follow the indications on [Figure 12](#) to install the necessary parts)

- Step 1** Choose your site carefully.
- Step 2** Please ensure the wall you're mounting to is sound, strong and appropriate - seek appropriate advice if you have any reservations.
- Step 3** Affix the Spigot to the Wall Base Bracket using the supplied bolts.
- Step 4** Position the Wall Base Bracket against the wall but on the ground so that the weight of your umbrella is partially supported by the ground. Ensure a stable and solid support is provided by the ground - See [Figure 12](#).
- Step 5** Mark hole locations on the wall and drill pilot holes.
- Step 6** Drill holes ensuring that they are parallel to each other and secure the Wall Mount bracket to the wall.
- Step 7** Slide your Rotation Plate over the Spigot and move on to **Stage 4**.

Figure 12 - Wall Base Bracket



NOTE: Refer to Spigot orientation diagram - [Figure 8](#)

STAGE 4 ASSEMBLING AND MOUNTING YOUR UMBRELLA(S)

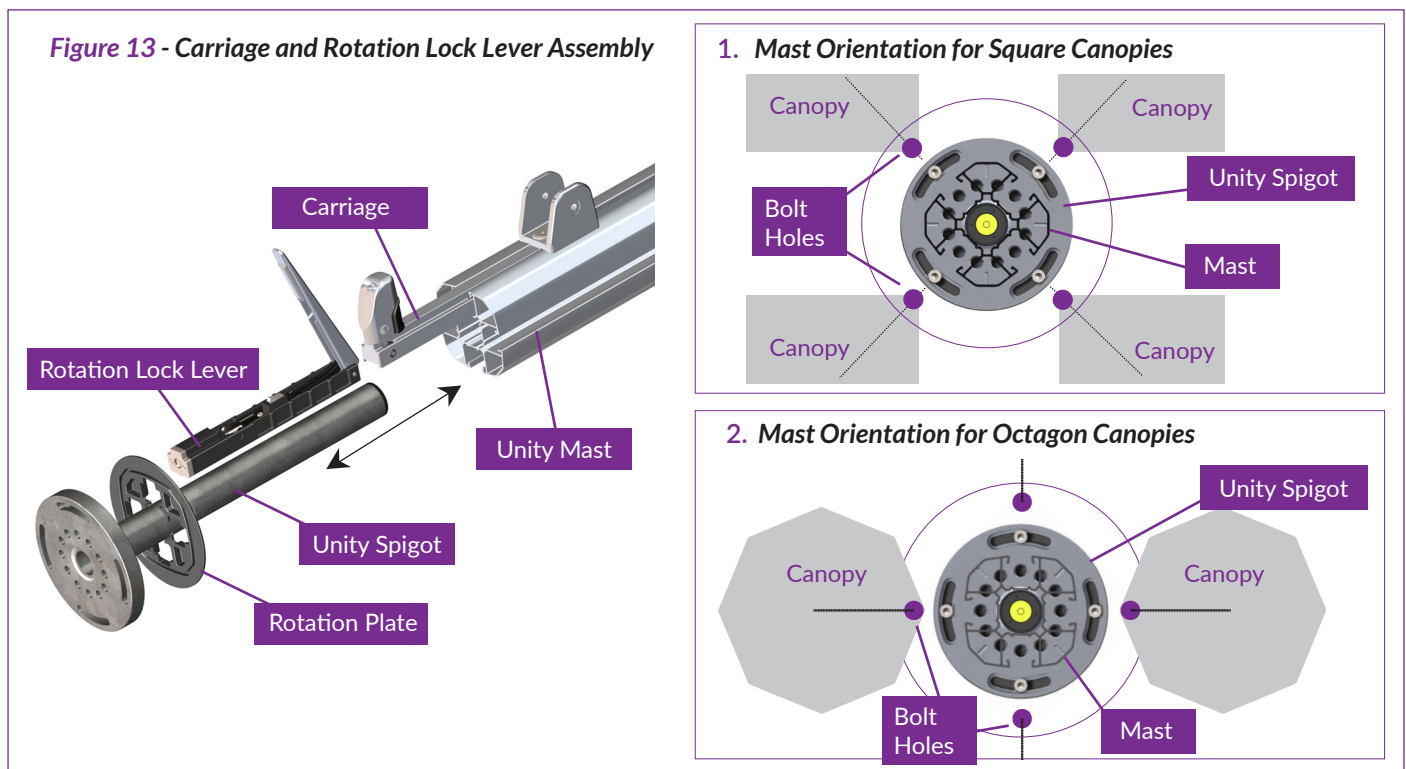
4A) ASSEMBLING YOUR UMBRELLA:

Shadowspec Unity comes partially assembled which is great! If you have a Duo, Trio or Quattro you'll need to attach a few things to the Mast to add your additional Frames. Remove the pre-assembled Unity umbrella from your box packaging and make sure you place it somewhere where the surface of your umbrella parts won't get scuffed or scratched. The other smaller box will contain the extra parts you need for the additional Canopy Frames. Remove the parts and lay them out.

You will require:

- A two person team
- Step Ladder
- Hex Key Set - Included in your umbrella box
- Your umbrella (large box)
- The additional umbrella Frame(s) - smaller box(s)
- The assembly parts kit (supplied with each additional umbrella Frame)
- Your umbrella Fabric Canopies

NOTE: Remember to install the Spigot on your chosen mounting option before proceeding.



Step 1 Turn the Mast so the Mast Channel you wish to install the additional Frame on is facing skyward.
- see [Figure 13](#).

Note: For correct Frame orientation please refer to [Figure 4](#) on page 8.

Step 2 Using your Hex Key, unscrew the Security Lock Screw from your Rotation Lock Lever and remove it from the Mast Channel.

Step 3 Insert the Carriage into the Mast from the bottom with the correct side facing upwards, sliding it up the Mast until it locks into the Top Catch bracket.

Step 4 Insert the Rotation Lock Lever into the same Mast Channel and finger tighten the screw until it just catches.
Note: Don't over-tighten this screw or you won't get the Mast on the Spigot

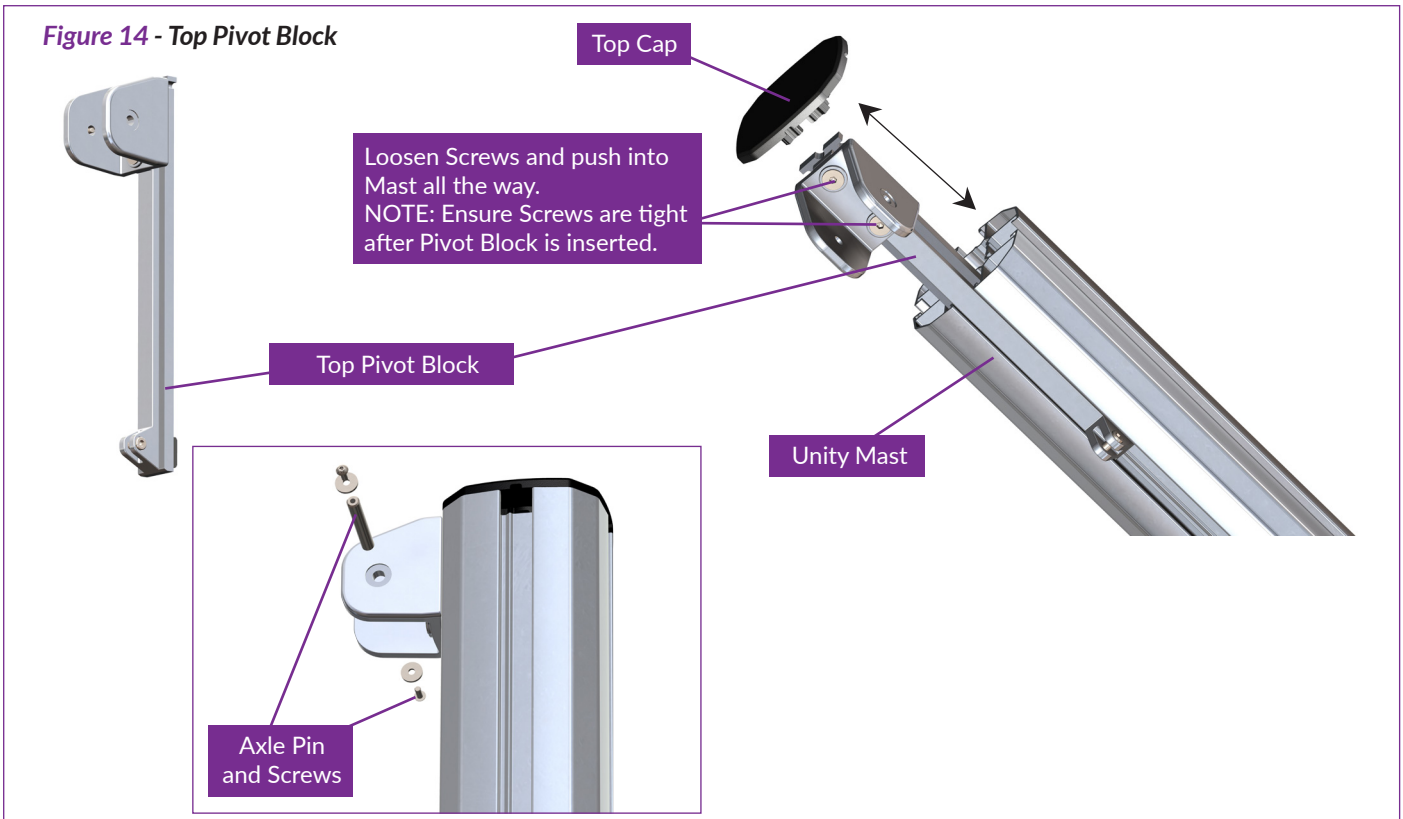
Step 5 Remove the Top Cap from the top of the Mast. See [Figure 14](#) on page 14.

Step 6 Remove Gas Spring from the Top Pivot Block.

Note: Keep the parts safe, you'll need them soon.

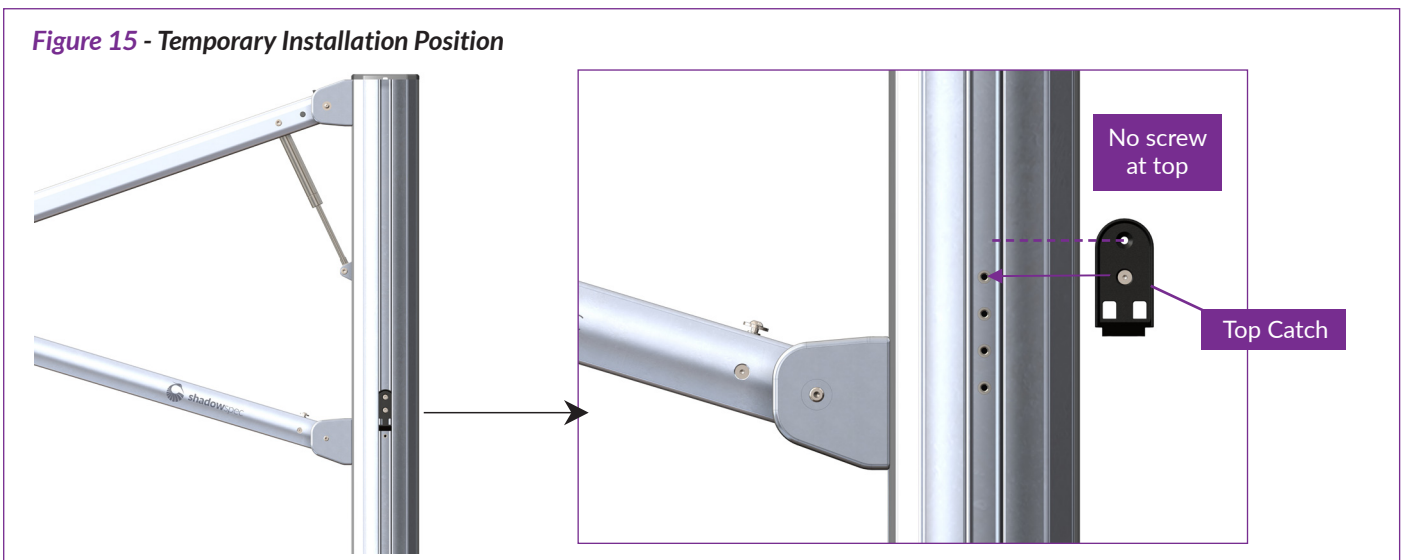


Figure 14 - Top Pivot Block



- Step 7 Slide the Top Pivot Block into the top of the Mast.
- Step 8 Tighten the Top Pivot Block in position using your Hex Key.
- Step 9 Remove Axle Pin from the Top Pivot Block.
- Note: Keep it safe, you'll need the Axle Pin soon.
- Step 10 Recheck to ensure Top Pivot Block is as tight as possible.
- Step 11 Return the Top Cap to the top of the Mast, firmly.
- Step 12 Remove the Axle Pin from the Shadowglide Carriage, keep it safe.

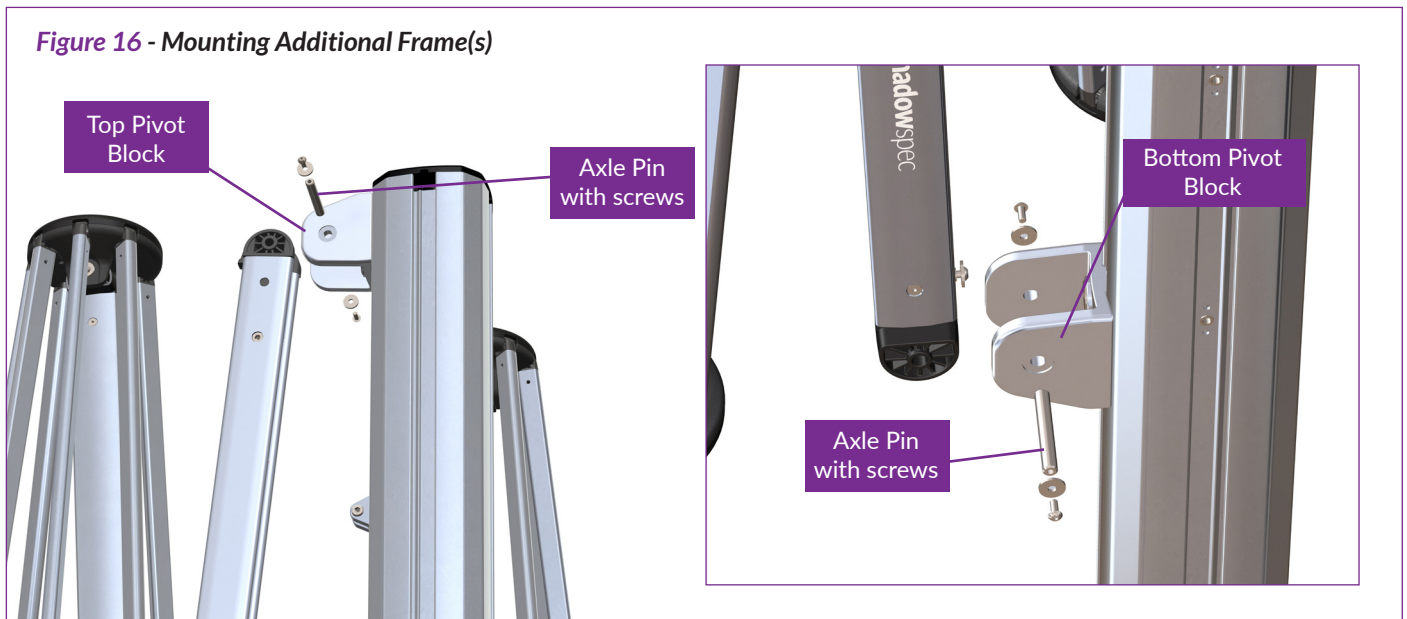
Figure 15 - Temporary Installation Position



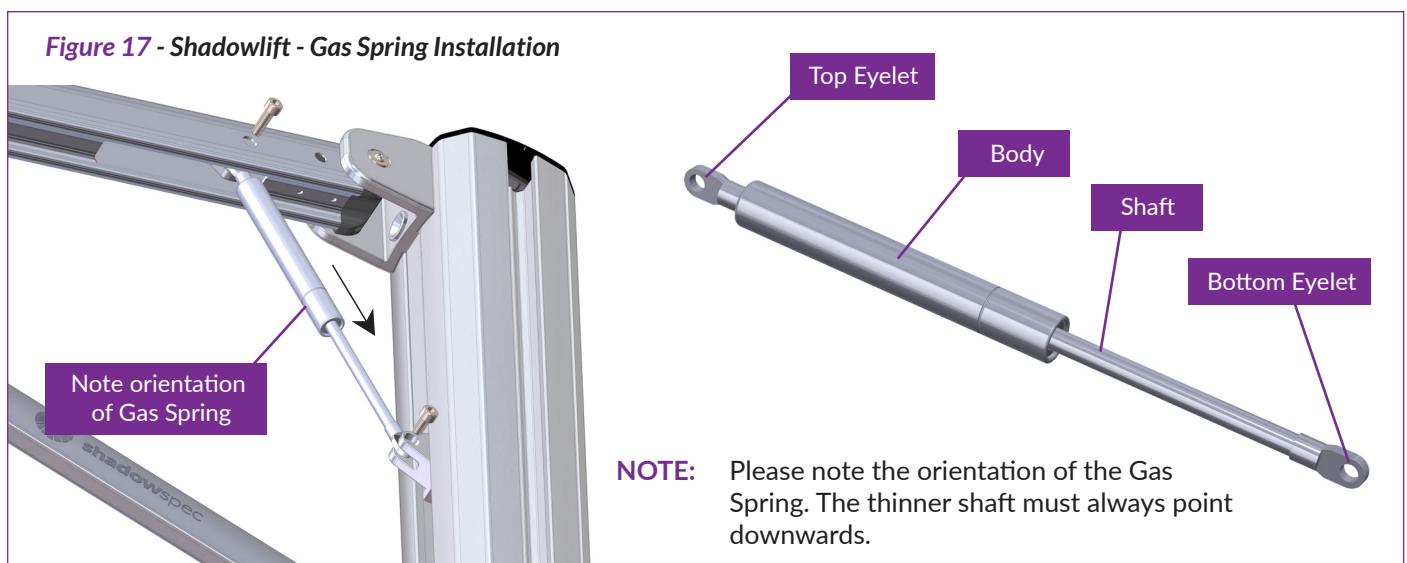
4B) MOUNTING YOUR UMBRELLA

- Step 13 With the help of an assistant, stand your Unity Umbrella.
- Step 14 Together now, lift the Unity Umbrella up and manoeuvre it over the Spigot so the base of the Mast is positioned over the top of the Spigot.
- Note: Remember to lightly grease the spigot with the supplied grease.

- Step 15** With care, lower the Mast down onto the Spigot and push it into the correct grooves of the Rotation Plate.
- Step 16** Lift the Rotation Lock Lever and tighten the security screw all the way. You now should not be able to lift the Umbrella off the Spigot.
- Note:** You'll need to do this on both Rotation Lock Levers on the umbrella.
- Tip:** Ensure the Mast can still rotate once the screw is tight - See **Figure 5** (on page 8) If not, loosen the screw slightly. Rotate the Mast until the index pin locates into the desired position hole. The lever will fall down into place - **DO NOT force the lever down.**
- Step 17** With the Mast now in the upright position, with the help of an assistant and a ladder, lift the Additional Frame to line up with the Top Pivot Block on the mast.- See **Figure 16.**



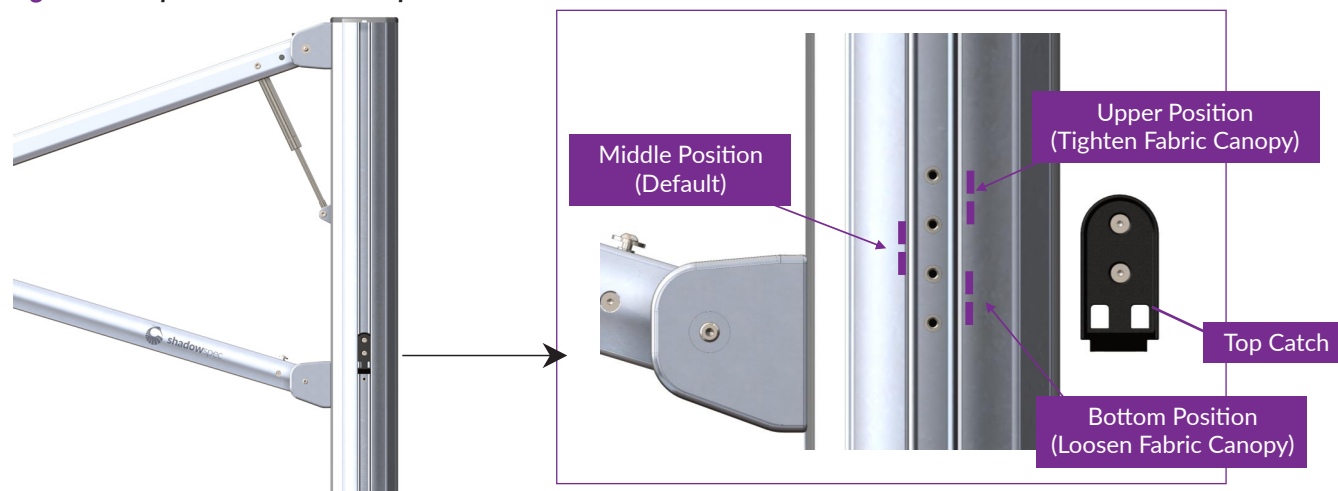
- Step 18** Insert the Axle Pin that you kept safe at **Step 9** and tighten it from both sides.
- Step 19** With the additional frame now hanging secure from the Top Pivot Block, secure the other end of the Additional Frame to the Shadowglide Carriage. Ensure both Axle Pins are tightened.
- Tip:** We recommend using a thread locking compound to ensure the screws do not loosen over time.
- Step 20** Unscrew the Top Catch and secure it in the upper-most position as illustrated in **Figure 15**. This is a temporary position to allow the installation of the Gas Spring (note only one screw will be used). Please remember



to move this back to the operational position as illustrated in **Figure 18** after the completion of installation.

- Step 21** Lift and slide the carriage up until it clicks into the fully open position. Please take care to ensure the ribs clear all objects and persons. This action will require a bit of effort as the Gas Spring is not installed yet.
- Tip:** The Top Catch must be in the Temporary Installation position - See **Figure 16**.
- Step 22** Unscrew and remove the Gas Spring bolt from the Main-Spar and reinsert it through the Top Eyelet of the Gas Spring.
- Note:** Ensure the Gas Spring is the right way round, the larger body should be at the top and the thin shaft at the bottom.
- Step 23** Swing the Gas Spring into place and secure the Bottom Eyelet to the pivot point on the Mast.
- Step 24** Reposition the Top Catch into the permanent operational position. – See **Figure 18**.
- Note:** There are three adjustable positions. We recommend starting with the middle position.
- Step 25** Open and close the Frame a few times to ensure smooth operation.
- Step 26** Repeat for Frames 3 and 4 for a Trio and Quattro Umbrella.

Figure 18 - Top Catch Permanent Operational Position



- Note:** Please move the Top Catch into the final operational position. The Middle Position is the factory default position. The Upper Position will tighten the Fabric Canopy whilst the lowest fixing position will remove some of the tension in the Fabric Canopy. Fabric Canopies tend to stretch slightly over time.
- Tip:** When new, the Fabric Canopies might require a bit more force to open. Moving the Top Catch to its lowest setting will ease this operation until the Fabric Canopy has stretched into position.

4C) FABRIC CANOPY INSTALLATION:

- Step 1** Click the Shadowglide Button to release the Frame and lower it to the middle of the Mast to make it easier to attach the Fabric Canopy.
- Step 2** Using a step ladder, (carefully) place the Fabric Canopy onto the Frame.
- Step 3** Align the eyelets on the Fabric Canopy with it's correct Rib Tip and using your Hex Key, fix the Fabric Canopy in place.
- Note:** Ensure they're tight to prevent them coming loose over time.
- Step 4** Align the split in the canopy with the Through-Spar and apply the Fabric Canopy velcro to the Through-Spar, securing the canopy.
- Step 5** Align the final Fabric Canopy eyelets at the base of the Through-Spar and secure the final screw to the Securing Point using your Hex Key as per **Step 3**.
- Step 6** Lift the Shadowglide Carriage to the top, slowly, to test the tension of the Fabric Canopy. See **Figure 18** for tension adjustability options for the Fabric Canopy.
- Step 7** Repeat for each Additional Frame (2-4).
- TIP:** Reposition the bottom velcro strip if needed so it is perfectly symmetrical onto the Through-Spar.

STAGE 5 OPERATING YOUR UMBRELLA

Your Shadowspec Unity is engineered to be easy to use. Squeeze the Shadowglide Button to release the Carriage from its closed position and push it up the Mast until it locks in place.

Step 1 To open your umbrella, push down onto the Shadowglide Button located in the Shadowglide Handle and assist the opening by pushing the Carriage with the with the palm of your hand upwards until it locks into place. See **Figure 19**.

TIP: Please ensure that the immediate area is free from traffic before opening or closing the Canopy

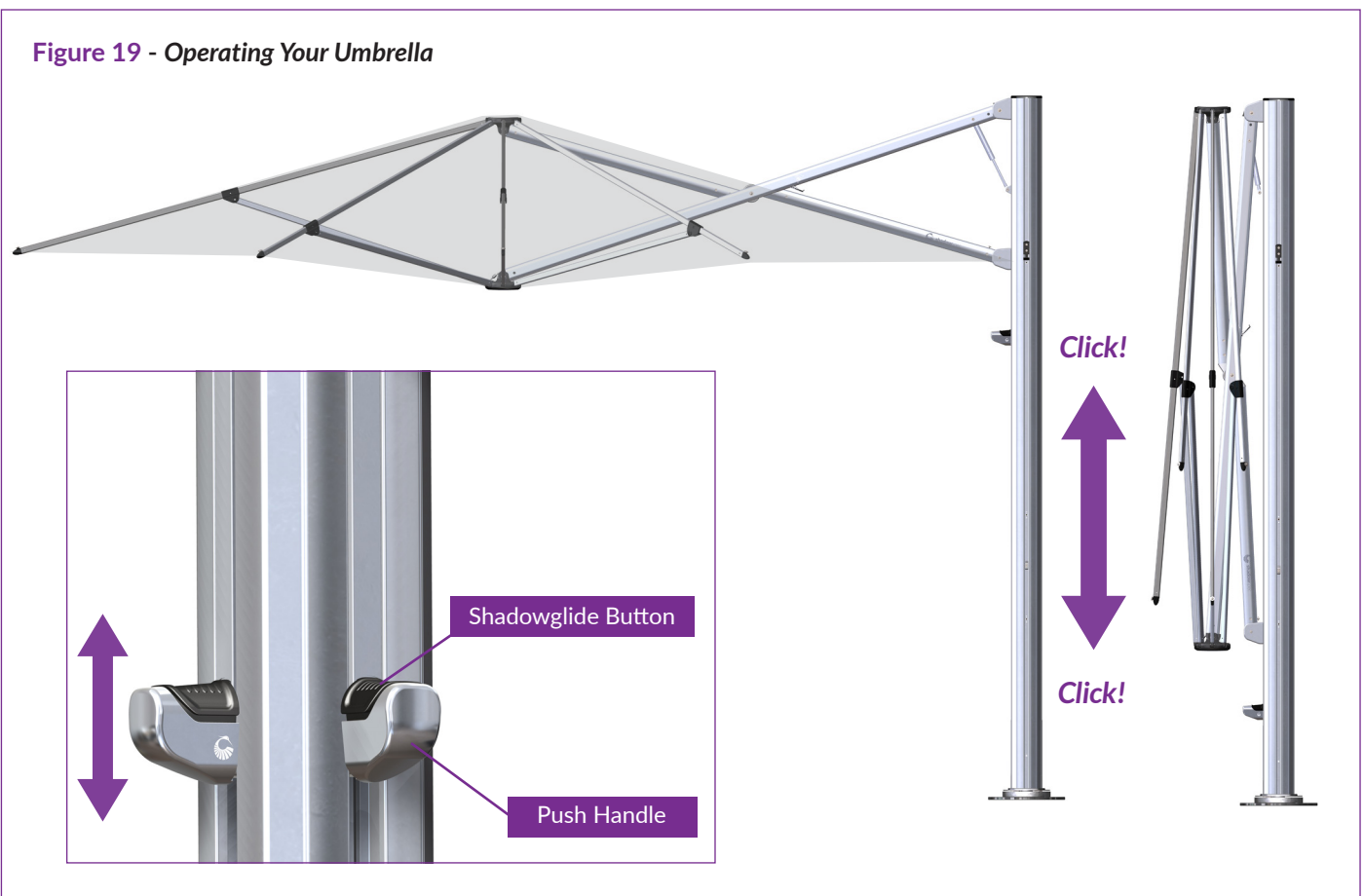
Step 2 To close your umbrella, squeeze the Shadowglide button to release the Carriage. Allow your umbrella to collapse by supporting the handle in the palm of your hand. Use your free arm to gather the Frame and push it towards the Mast until the Carriage locks into the closed position.

Step 3 Once fully closed it is important that you wrap the provided Canopy Strap around the Mast and Canopy to keep it secure when not in use.

TIP: Use an optional Protection Cover to prolong and safeguard your investment against the elements when your umbrella is not in use.

Contact us if you would like to purchase a Protection Cover.

Figure 19 - Operating Your Umbrella



SECTION 4 – ACCESSORIES

4A) LED LIGHTS

All Shadowspec Serenity Umbrellas are supplied with an LED Light built into the lower hub of each Frame - See [Figure 20](#).

The LED Light can be powered by our optional Shadowspec SS-1 Bluetooth® Smart Battery. This battery makes for easy installation without the need for electrical wiring to be installed into your umbrella. The SS-1 Smart Battery allows the user to control the LED Light via any Android mobile device using the Shadowspec App or operate the LED Light using the manual on/off button located on the end of the SS-1 Smart Battery itself. The SS-1 Bluetooth Smart Battery comes with its own 230/240 volt charger and will provide up to 8 hours of operation on a full charge.

A permanent hard wired DC feed can also be installed to your LED Light. This installation will however require the assistance of a qualified electrician. Please enquire about our optional hard wiring kit for this application.

Figure 20 - LED Light Specifications



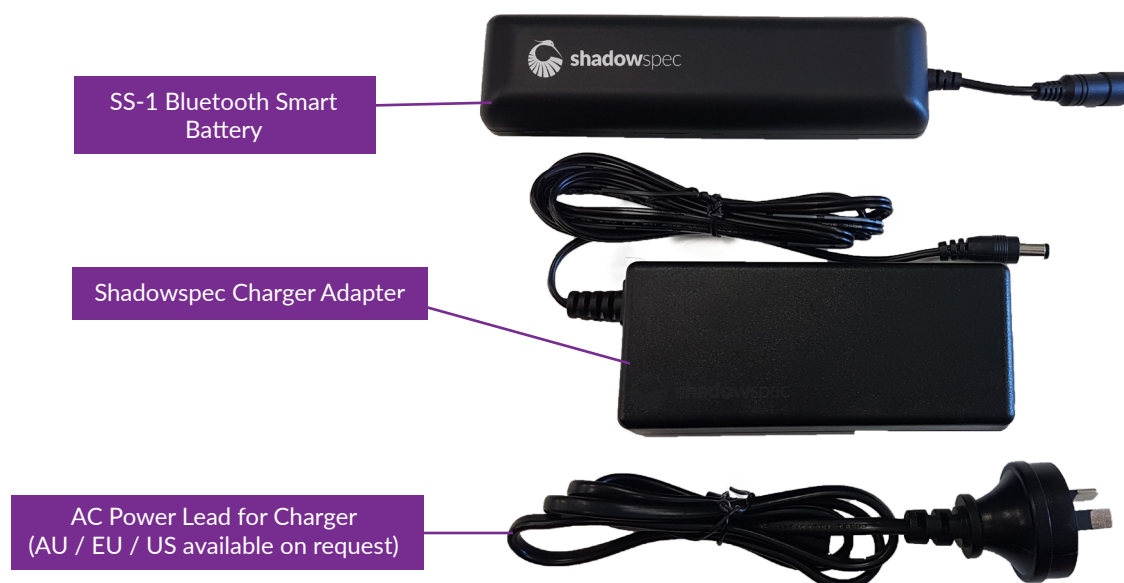
Input voltage: 9V
Power consumption: 900mW
2.1mm DC Connector (Tip + / Ring -)
Colour: Cold White - 6500K

4B) SS-1 SMART BATTERY AND CHARGER

Included with the optional SS-1 Smart Battery and Charger is the User Manual, 1x Shadowspec SS-1 Smart Battery, 1x Shadowspec Charger Adapter with AC Lead (ensure correct power lead type ordered for region) See [Figure 21](#).

Please go to www.shadowspec.com/smart-battery for the software installation guide and Play Store download link. The Shadowspec App allows you to control your Shadowspec LED Light via Bluetooth using your Android mobile device.

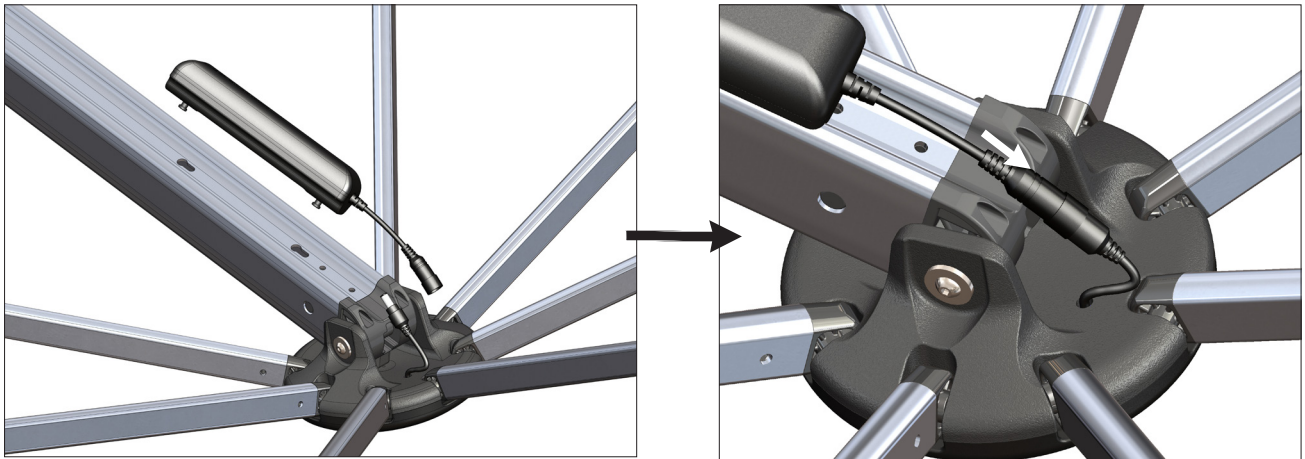
Figure 21 - SS-1 Smart Battery Kit - What is Included



POSITIONING AND CONNECTING THE SMART BATTERY

- Step 1** Slide the fully charged SS-1 Smart Battery onto the Main Spar at the LED-light end.
- Step 2** Plug the LED Light into the SS-1 Smart Battery (push in all the way, ensuring a waterproof connection).
- Step 3** See the SS-1 Bluetooth LED Battery and Charger manual for software installation and Bluetooth Smart Battery pairing - this manual comes with the SS-1 Bluetooth LED Battery and Charger.
- Step 4** To remove the SS-1 Smart Battery first disconnect it from the LED Light, THEN slide the battery back to release the hooks from the key-slots.
- NOTE:** Please contact us if you would like to purchase an optional Smart Battery and Charger(s).

Figure 22 - Plugging in the SS-1 Smart Battery



RECHARGEABLE SMART BATTERY CARE AND RULES FOR USE

- Only use the Shadowspec Charging Adapter to charge the Shadowspec SS-1 Bluetooth LED Smart Battery.
- Please charge your SS-1 Smart Battery completely before the very first time it is used.
- Do not charge the SS-1 Smart Battery whilst fitted to your umbrella. (Always use the AC powered charger indoors and in a dry, safe environment – charge at room temperature).
- Do not puncture the SS-1 Smart Battery as it contains a Lithium Ion Battery. Do not store your SS-1 Smart Battery on your umbrella when not in use.
- Your SS-1 Smart Battery should not be stored for long time periods when fully charged or uncharged. Optimum long-term storage condition is between 40%-50% charged.
- Do not expose the SS-1 Smart Battery to temperatures higher than +55°C.
- Do not dispose of the SS-1 Smart Battery via normal trash disposal. Please recycle responsibly.

NOTICE

Equipotential Bonding Compliance Obligation

This product is subject to Equipotential Bonding compliance in accordance with the Australian/New Zealand Standards (AS/NZS 3000: 2018 Electrical Installations) otherwise known as the Wiring Rules and the USA code, NFPA 70, National Electrical Code (NEC) – 2020 edition - Article 680. If this product is installed within arms reach (NZ/AU*) or 5' (USA*) of a body of water including spa, swim spa or pool, then Equipotential Bonding MUST be performed by a licensed electrical person prior to the product being used. This is a mandatory requirement. As the purchaser of this product, you are responsible for ensuring compliance with this requirement at your own expense.

* Please verify the minimum distance required as stipulated by your specific regional regulations outside NZ/AU/USA



shadowspec

umbrellas with distinction

Contact our in-house shade and outdoor specialists
for more information and advice.

AUSTRALIA

Australian Nest

Laverton North, Victoria

1800 144 155

www.shadowspec.com.au

NEW ZEALAND

Heron Base

Whangarei, Northland

0800 144 155

www.shadowspec.co.nz

UNITED STATES

North American Nest

Atlanta, Georgia

844 888 5577

www.shadowspec.com