

# SHADOWSPEC SERENITY™

ROTATING CANTILEVER UMBRELLA



P01/22



## OWNERS MANUAL

Installation, Operation, Care and Warranty



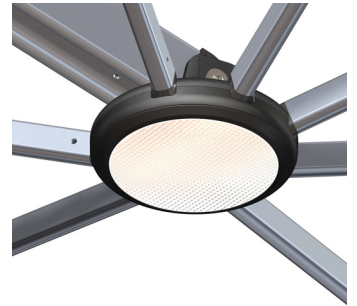
SHADOWLIFT™



SHADOWGLIDE™



SHADOWLOCK™



SHADOWHUB



Read your manual in full before assembling your umbrella.

To extend the life of your umbrella investment please read  
and follow the care instructions on a regular basis.

Thank you for your purchase, we appreciate it.  
Enjoy the shade, courtesy of Shadowspec.



## CONTENTS

Page

<b>SECTION 1 - WARRANTY</b>	<b>4</b>
<b>Product Registration and Warranty Validation</b>	<b>5</b>
<b>SECTION 2 - UMBRELLA CARE AND MAINTENANCE</b>	<b>5</b>
<b>SECTION 3 - ASSEMBLY, INSTALLATION AND OPERATION</b>	<b>6</b>
<b>STAGE 1 Umbrella Location - Planning Your Umbrella Location</b>	<b>6</b>
<b>STAGE 2 Naming and Checking Your Umbrella Parts</b>	<b>7</b>
<b>STAGE 3 Installation of Your Umbrella Mount</b>	<b>8</b>
Option 1 - Freestanding Base	<b>9</b>
Option 2 - In-Ground Anchor	<b>10</b>
Option 3 - Surface Plate	<b>12</b>
Option 4 - Wall Mount	<b>14</b>
<b>STAGE 4 Assembling and Mounting Your Umbrella</b>	<b>13</b>
Stage 4A - Assembling Your Umbrella	<b>15</b>
Stage 4B - Mounting Your Umbrella	<b>15</b>
Stage 4C - Fabric Canopy Installation	<b>16</b>
<b>STAGE 5 Operating Your Umbrella</b>	<b>17</b>
<b>SECTION 4 - ACCESSORIES</b>	<b>18</b>
4A - LED Lights	<b>18</b>
4B - SS-1 Bluetooth® Smart Battery and Charger	<b>19</b>

# SECTION 1 – WARRANTY

## THE SHADOWSPEC WARRANTY:

Shadowspec guarantees that Shadowspec Serenity Umbrellas that are installed in accordance with our guidelines will be free of defects in materials and workmanship for the period of time as set out and specified below:



**Fabric  
Warranty** \*  
\*\*



**Frame  
Warranty** \*\*

\*'Fabric' warranty relates to your umbrella Fabric Canopy. Protection Cover warranty is 3 years.

\*\*In commercial applications, the Fabric and Frame warranty is 3 years.

## PLEASE NOTE:

In commercial applications, the Fabric and Frame warranty is 3 years.

'Fabric' warranty relates to your umbrella Fabric Canopy. Protection Cover warranty is 3 years.

The obligation of Shadowspec under this warranty is limited to faulty manufacturing, defective materials and mechanical failure when your umbrella has been used and cared for appropriately from the date of invoice. If an umbrella is repaired under warranty, the warranty period will not be extended.

Shadowspec shall, at its sole discretion, determine whether repair or replacement is appropriate. This warranty does not cover the following:

- Damage caused by an accident, negligence, storm, wind, accumulation of water or snow, or caused by an act of God, incorrect installation, not following Shadowspecs Care and Maintenance instructions, incorrect use or natural ageing and fading.
- Damage caused by exposure to hazardous atmospheric situations due to industry or a high slat level.
- Small colour variations between the fabric and the colour samples and between the components and profiles, which are caused by the manufacturing process.
- Damage by a third party.
- Repair by a third party.

Your Serenity Umbrella has been designed to handle all conditions in which people are comfortable relaxing outdoors, and more. Our recommendation is that when the weather outside is uncomfortable to sit down and relax in, that you lower your umbrellas. Specifically, our umbrellas have been tested to wind levels at and above Beaufort 5. This is subject to your umbrella being sufficiently anchored. To avoid possible wind damage, we recommend that your umbrella be closed in wind levels above this point (40kmh/25mph) to protect your investment and extend the useful life of your umbrella.

This warranty does protect against your umbrella Fabric Canopy becoming unserviceable due to strength loss from normal usage and exposure conditions.

The foregoing sets out the extent of this warranty.

Shadowspec shall not otherwise be liable or responsible for any direct, indirect, incidental or consequential damage, costs or losses of any kind arising out of or in connection with your umbrella or components or for any delay by Shadowspec or the component manufacturer in undertaking repairs or replacement under this warranty.

Except as expressly provided herein, all other warranties, representations, conditions, undertakings, rights, duties or liabilities, whether arising by implication of law or otherwise, are hereby expressly excluded.

If you need to enquire about a warranty claim, please either contact Shadowspec direct or the sales agent you purchased your Serenity from.



# PRODUCT REGISTRATION

It's important to us that your product is looked after and that starts with registration to validate your warranty. Please visit our website at the link below to register your product.

[www.shadowspec.com/register](http://www.shadowspec.com/register)



## SECTION 2 – UMBRELLA CARE AND MAINTENANCE

Regular care and maintenance of your umbrella is essential.

The following points will assist in keeping it looking smart and clean while also ensuring its ongoing performance and reliability.

- To extend the life of your umbrella as long as possible, we recommend purchasing a Protection Cover for your umbrella and covering your umbrella with it whenever it is not in use.
- Close and cover your umbrella in adverse conditions. This includes heavy rain, snow, hail and high wind.
- Take care when opening or closing your umbrella - always check for obstacles first (i.e. trees, ladders, furniture, people).
- Umbrella should never be left stored/collapsed for long periods while wet. Always ensure that the fabric is thoroughly dry before storing or closing for long periods of time.
- Any early signs of mould or mildew must be removed as soon as it's discovered.
- Your umbrella Fabric Canopy is removable and fully washable. See fabric cleaning instructions below.
- Never clean any part of your umbrella with a corrosive/abrasive product or a high pressure hose.
- Never use waterproofing or cleaning sprays on your umbrella fabric without seeking appropriate advice first.
- All moving parts on your umbrella are best maintained with an annual application of dry lubricator, such as a wax based spray.
- From time-to-time, inspect your umbrella and ensure all the accessible screws/bolts and other fixings remain tight. If they appear loose, tighten them with the supplied toolkit.

**Tips:** 1. *Keep your toolkit stored in a safe place for future maintenance.*

2. *For commercial applications, contact us for our preventative maintenance guides.*

### FABRIC CLEANING INSTRUCTIONS:

Shadowspec Fabric Canopies are manufactured from the most durable marine fabrics, thread and designs available. Shadowspec Fabric Canopies should be cleaned on a regular basis so dirt isn't allowed to build-up and become embedded in the fabric. You can clean your Fabric Canopy without removing it from the Frame if you prefer, or it's as easy to remove as it was to put on. Brush off any loose dirt and particles, hose it down and clean with lukewarm water (temperature) and mild soap. Rinse again to remove all the soap before allowing the Fabric Canopy to air dry. Do not use heavy detergents!

If you have found a stain that won't come off with our standard cleaning instructions, a '303' Fabric Cleaner is recommended. First, trial a small area of the fabric to ensure there is no discolouration or adverse effect. After cleaning it's important that you treat the fabric with a water repellency agent. We recommend the '303' protectant is used to restore the repellency.

Note: When washing or cleaning, do not subject to excessive heat as the fabric will shrink. Do not steam press or dry in an electric or gas dryer. Always allow your Fabric Canopy to air dry. If you take the umbrella down for winter, take time to clean and air dry your Fabric Canopy before storing in a well ventilated area.

*For full manufacturers recommendations regarding care of our Canopy Fabrics, visit [www.sunbrella.com](http://www.sunbrella.com) for detailed care instructions.*



# SECTION 3 - ASSEMBLY, INSTALLATION AND OPERATION

## STAGE 1 UMBRELLA LOCATION

### PLANNING YOUR UMBRELLA LOCATION:

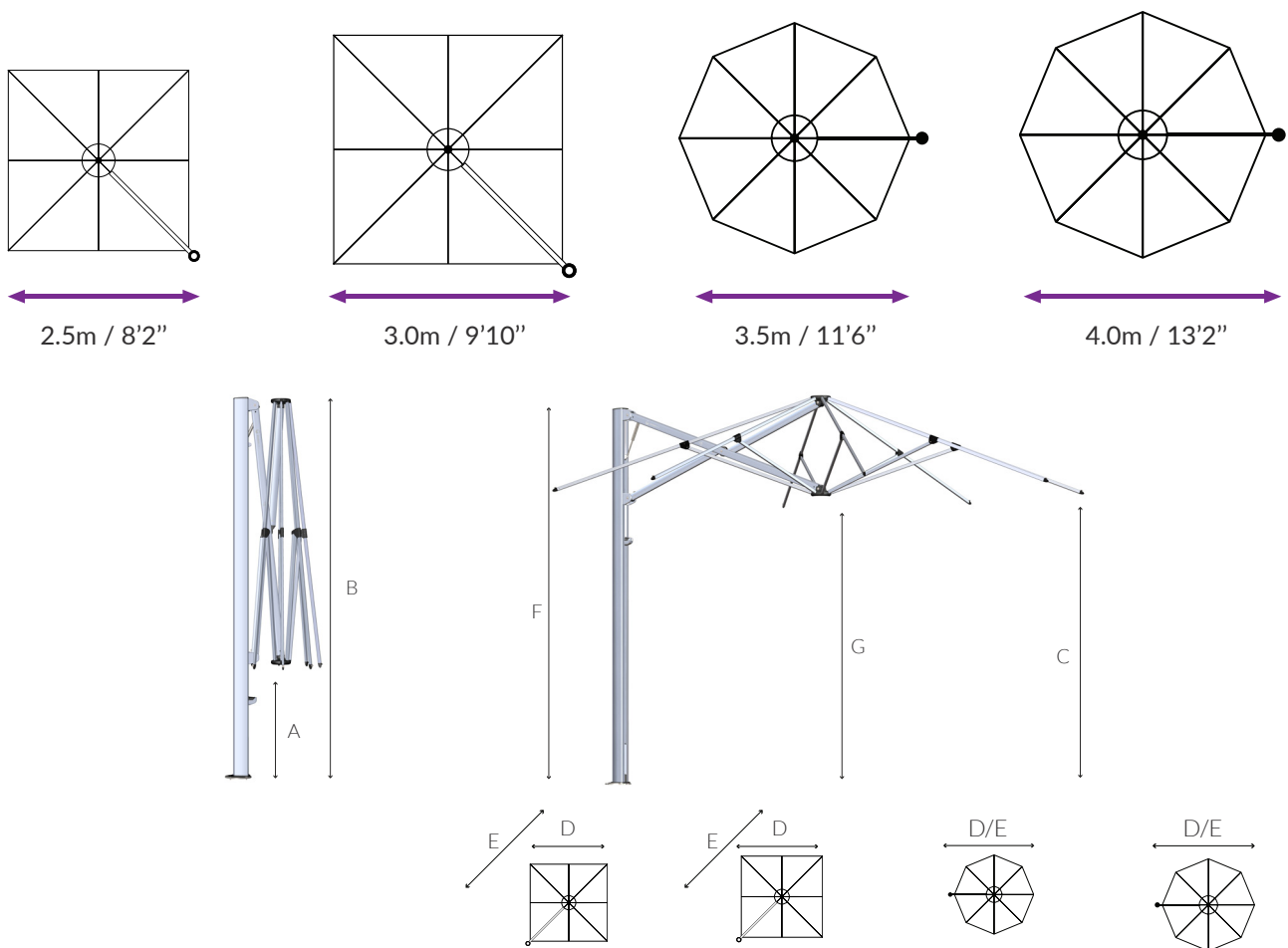
Special care is needed when selecting the best location for your umbrella. Some key points to keep in mind are:

1. Check that your chosen installation position will give you optimal coverage of the area you're looking to shade.
2. Consider the direction the sun travels during key months of the year. If unsure, we recommend downloading a free-to-use sun-tracker app to your smartphone such as: **"Sun position and path" by Siranet.**

**NOTE:** For assistance with orientating your umbrella correctly, see configuration details in **Figure 1** below.

**Figure 1 - Serenity Umbrella Configurations, Area Coverage and Dimensions**

Configurations/Area Coverage:



**Diagram Legend**

	2.5m	8'2"	3.0m	9'10"	3.5m	11'6"	4.0m	13'2"
<b>A</b> Ground to central frame hub when closed*	857mm	2'10"	610mm	2'0"	1083mm	3'7"	835mm	2'9"
<b>B</b> Height of umbrella to top of mast cap*	2903mm	9'6"	2903mm	9'6"	2903mm	9'6"	2903mm	9'6"
<b>C</b> Ground to lower outer edge of canopy*	2222mm	7'4"	2219mm	7'3"	2236mm	7'4"	2177mm	7'2"
<b>D</b> Centre of mast to outside edge of canopy	2665mm	8'9"	2993mm	9'10"	3500mm	11'6"	4000mm	13'2"
<b>E</b> Diagonal from centre of mast to corner	3639mm	11'11"	4101mm	13'6"	3473mm	11'5"	3950mm	13'0"
<b>F</b> Total height to top of canopy*	2892mm	9'6"	2817mm	9'3"	2972mm	9'9"	2895mm	9'6"
<b>G</b> Ground to central frame hub when open*	2150mm	7'0"	2071mm	6'10"	2226mm	7'4"	2149mm	7'0"

\*Freestanding Base installations will add 165mm to these measurements. Adding Freestanding Base wheels also will add a further 45-80mm/2-3". All sizings are +/- 2.5mm / 3/32" and subject to change without notice.

## STAGE 2 NAMING AND CHECKING YOUR UMBRELLA PARTS

When unpacking your Serenity umbrella please check you have all the correct parts pictured below before beginning the assembly. If any parts are missing please contact [support@shadowspec.com](mailto:support@shadowspec.com) to create a ticket to resolve.

You will need to refer back to this page so why not earmark it for quick reference whilst you're assembling your umbrella.

Figure 2 - Serenity Umbrella Parts

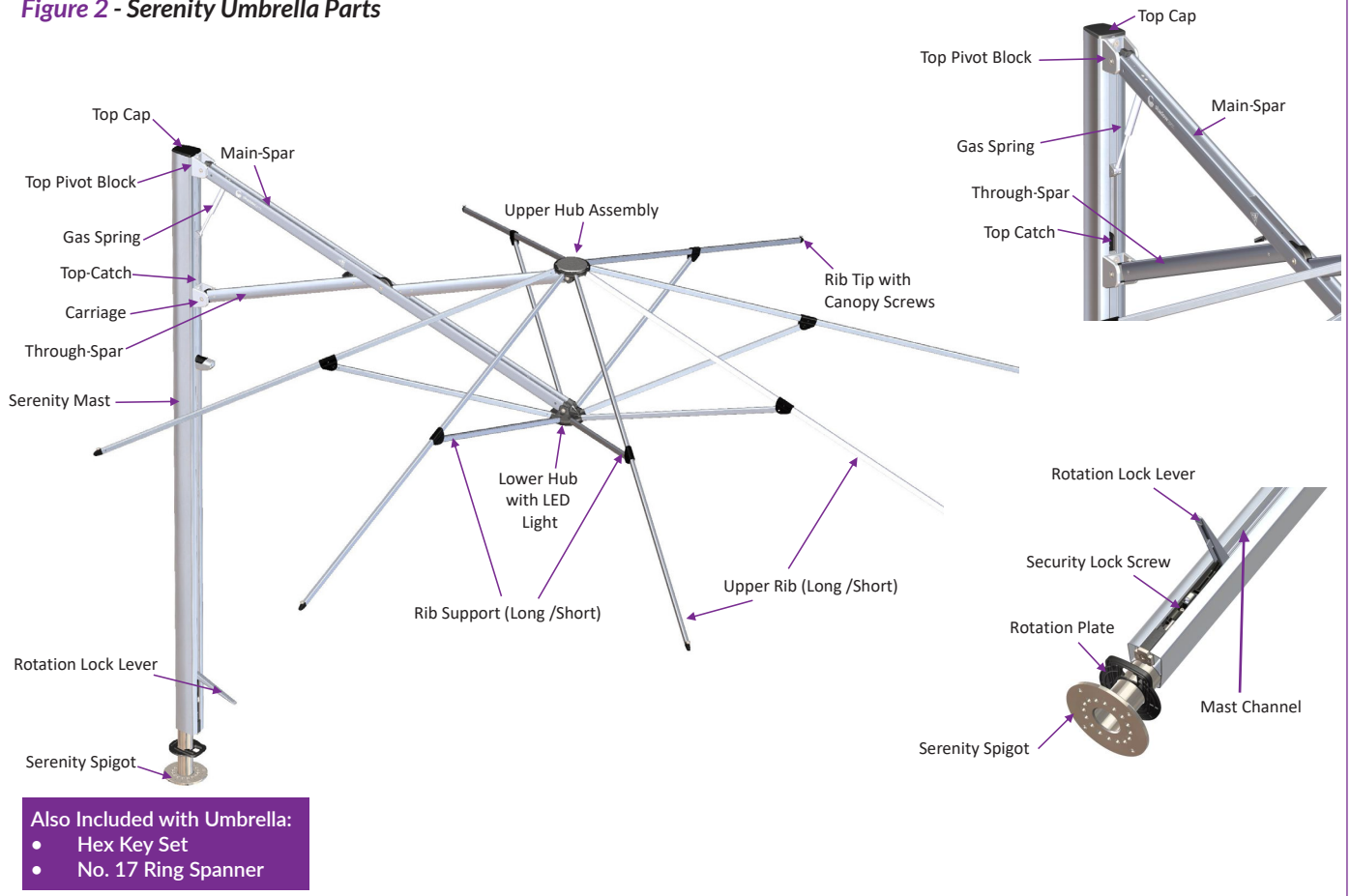
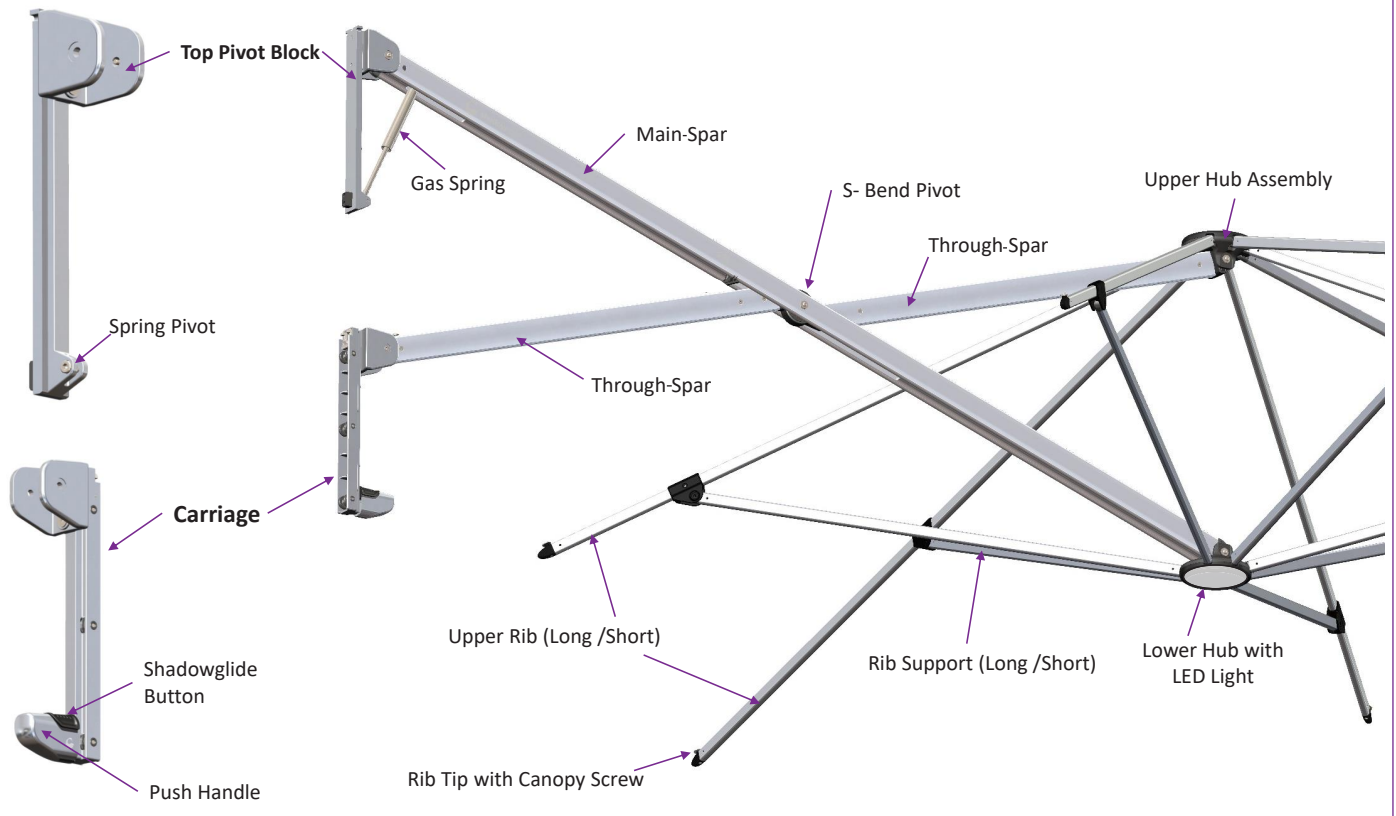


Figure 3 - Frame Canopy Parts





## STAGE 3 INSTALLATION OF YOUR UMBRELLA MOUNT

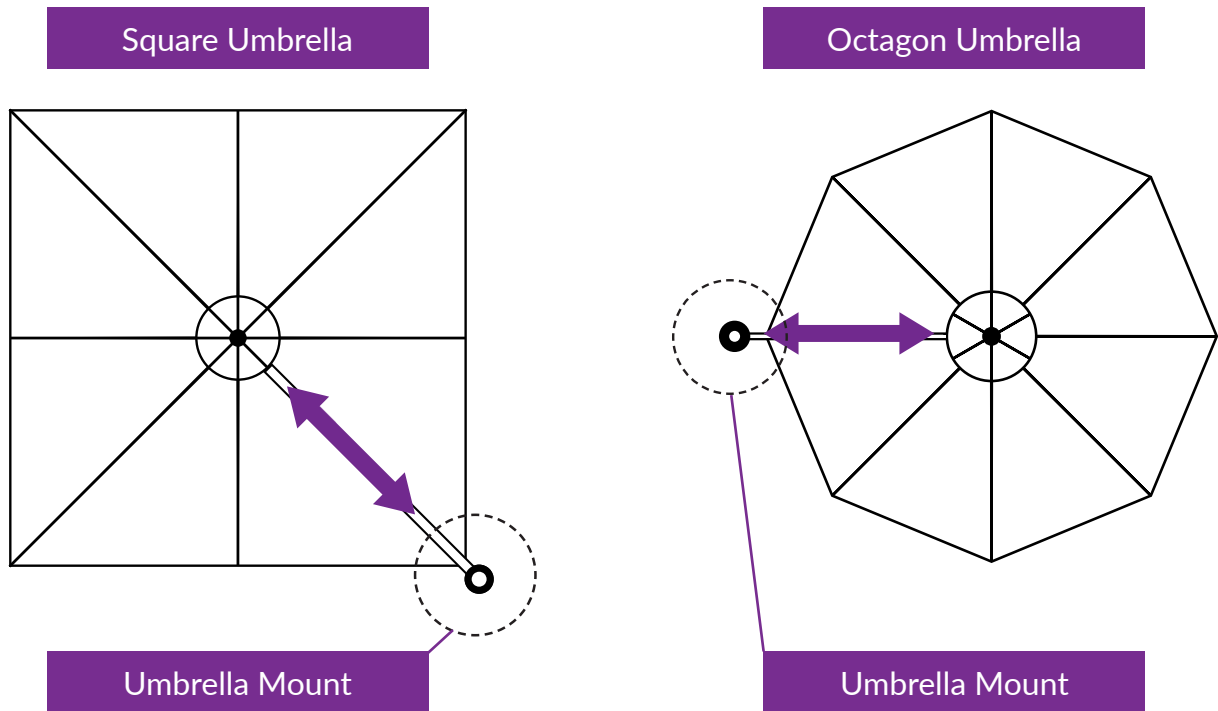
We offer four different mounting options. Please go to the section of your purchased mounting option. We recommend that you read through all of the instructions before starting. It's worth it, trust us.

**Step 1** First, unscrew the Security Lock Screw under the Rotating Lock Lever - See *Figure 5*.

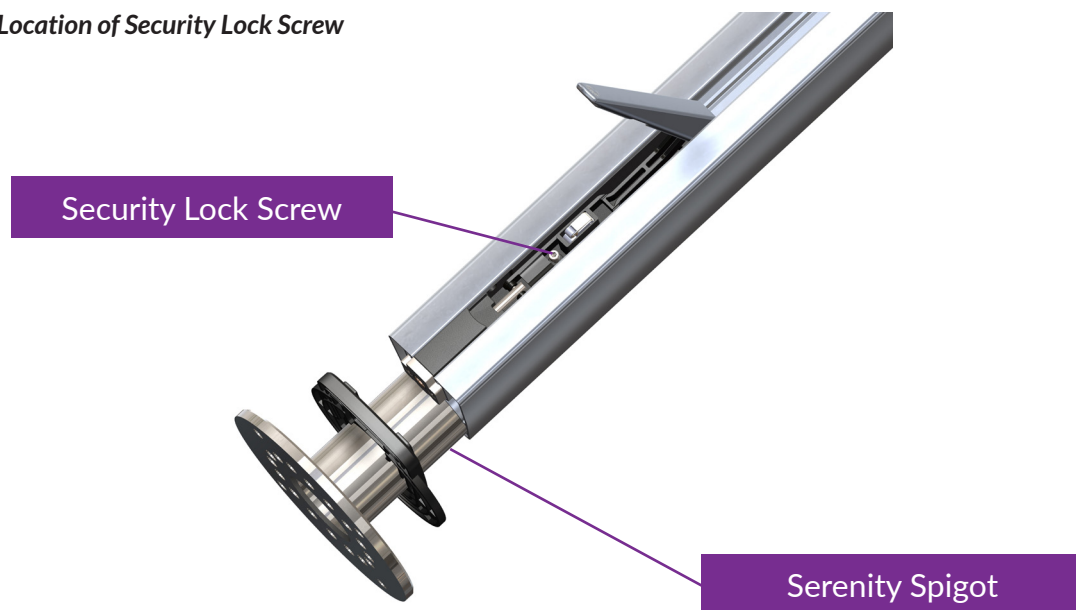
**Step 2** Remove Spigot from your umbrella Mast.

**Step 3** Affix the Spigot to your mounting option of choice (**Options 1 - 4**).

*Figure 4 - Square and Octagonal Frame Orientation*



*Figure 5 - Location of Security Lock Screw*





## OPTION 1 - FREESTANDING BASE

For installation you will require:

- An adjustable spanner (there is a No. 17 Ring Spanner included with umbrella box)
- Hex Key Set - Included in your umbrella box
- The complete Freestanding Base kit. See **Figure 6** of included components
- Concrete Pavers - Not included. Size required: 400mm x 400mm x 40mm / 1'3" x 1'3" x 1.5" which can be purchased from your closest building supply store eg Home Depot / Bunnings.
- Optional: Heavy Duty Wheels / Castors

**Step 1** Turn the Freestanding Base upside down.

**Step 2** a. Screw the supplied Threaded Feet into each corner of the underside of the Base.

b. If you've purchased the Optional Wheels / Castors, screw them into the corners instead. See **Figure 6.5**.

**Step 3** Return the Freestanding Base to its correct orientation, supported on its Threaded Feet / Optional Castor.

**Step 4** Affix the Spigot to the Freestanding Base using the provided Serenity Screws and Nuts. It's important to use the holes between the pavers to ensure there's enough clearance when you insert the pavers in Step 6

**Step 5** Adjust the feet or wheels to ensure the base is level, the Spigot has a spirit level built-in to assist.

**Step 6** Place the Freestanding Base in the desired location

**Step 7** Insert the 12 pavers for ballast then slide the base cover over top.

**Step 8** Slide your Rotation Plate over the Spigot and move on to **Stage 4**.

**Figure 6 - Freestanding Base Parts**



## OPTION 2 - IN-GROUND ANCHOR

For installation you will require:

- Wheelbarrow and Spade.
- Concrete Mix - Not included. Can be purchased from your closest building supply store eg Home Depot / Bunnings.
- Spare wooden planks or other bracing materials
- Hex Key Set. This is included with the Umbrella.

**Step 1** Choose your site and ensure the ground is level. Check for buried utilities.

**Step 2** Dig your footing hole at least 500mmW x 500mmL x 600mmH / 1'7" x 1'7" x 1'11". It is recommended that you flare the footing hole slightly at the base for extra stability - See **Figure 8**.

**Step 3** Using the Screws supplied with your Umbrella, fit the spigot to the In-Ground Anchor. - See **Figure 7**.

**Step 4** Prepare the concrete mix in your wheelbarrow.

**Step 5** Position the In-Ground Anchor in the hole and use the spirit level on the Spigot to ensure the anchor is level. See **Figure 7.3** for where the ground level should be. Ensure orientation is correct for how you wish to position your umbrella - see **Figure 1** and **Figure 8** (pages 6 and 11).

**Step 6** Pour concrete into the hole to the bottom of the Spigot base.

DO NOT cover any part of the Serenity Spigot. See **Figure 7**.

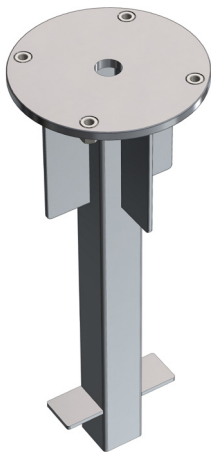
**Step 7** Use bracing and support to ensure the In-Ground Anchor and Spigot stay level.

**Step 8** Allow at least 24-hours for the concrete to cure - your chosen product will have a recommended time on the packaging so double check this.

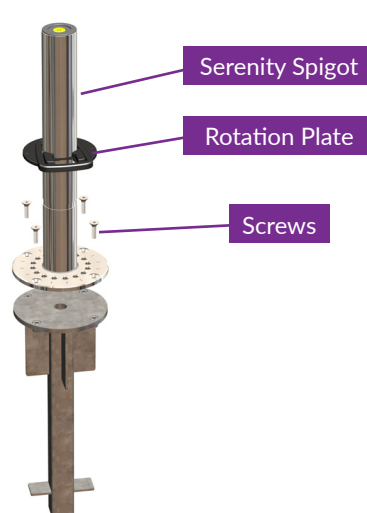
**Step 9** Slide your Rotation Plate over the Spigot and move on to **Stage 4**.

**Figure 7 - In-Ground Anchor**

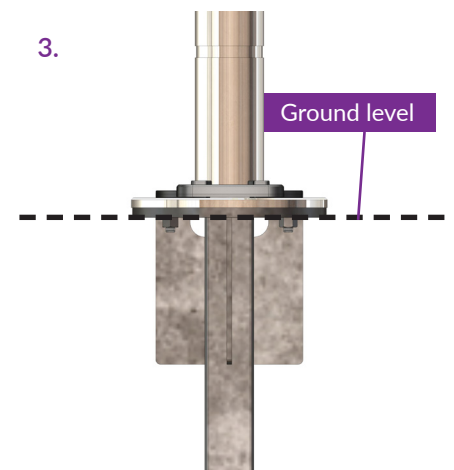
1. In-Ground Anchor



2.

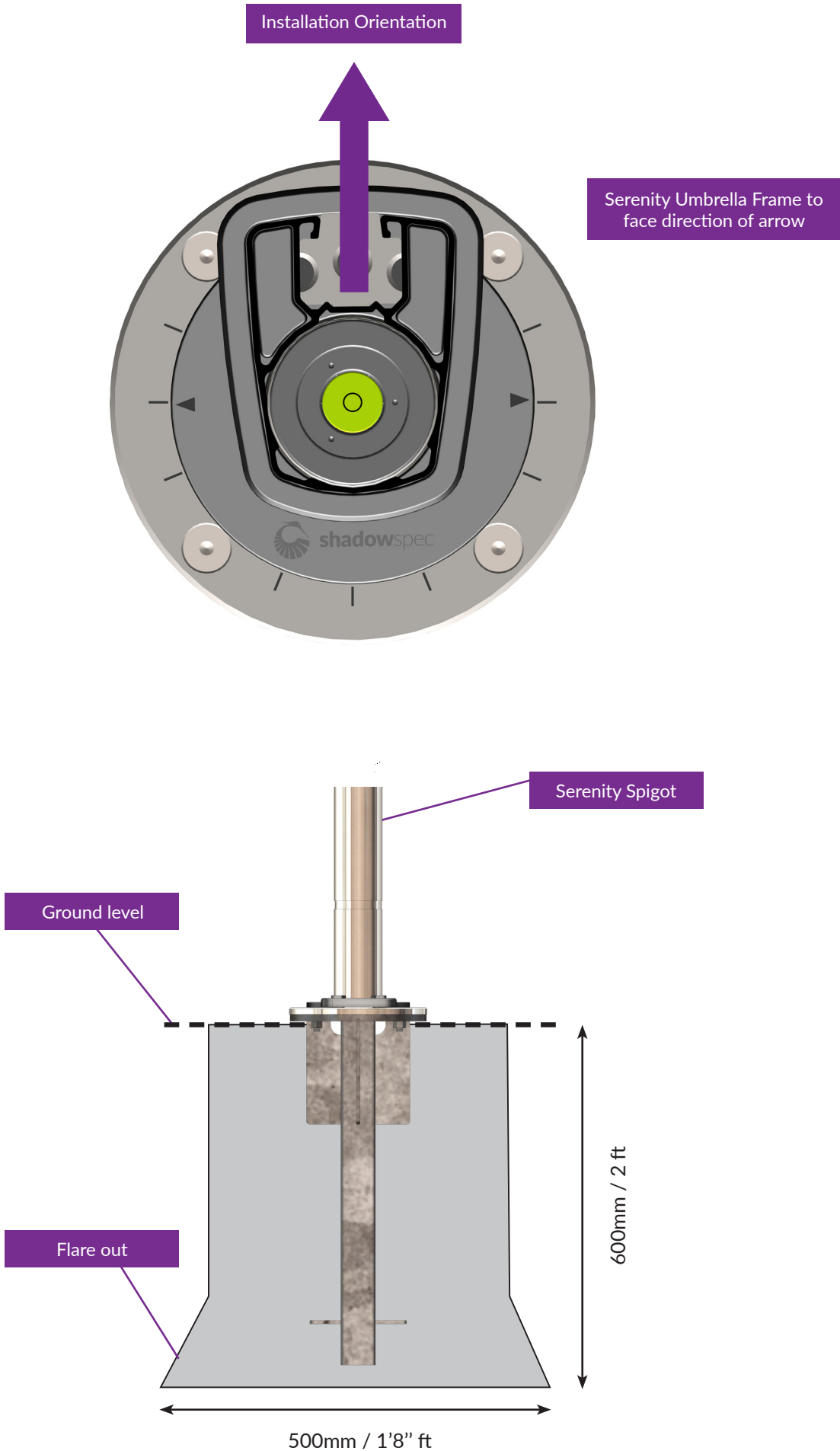


3.



**NOTE:** Do not cover the Spigot

Figure 8 - In-Ground Anchor Installation, Mast Orientation and Suggested Specifications



## OPTION 3 - SURFACE PLATE

For installation of the Surface Plate you will require:

- Hex Key Set which is included with umbrella
- Corrosion proof washers for leveling base (316 Stainless Steel Bolts, Nuts and Washers are recommended)

For installing to a **wooden deck** you will require:

- 4 x 12mm CSK Bolts and matching Nuts (not supplied - length will depend on the thickness of the deck and bracing timbers you are fixing through)

Or, for installing to a **concrete slab** you will require:

- 4 Dyna-Bolts or Concrete Screws (not supplied - recommended at least 100mm / 4" long)

**Step 1** Choose your site. It's important that the chosen site is clean, level and structurally sound. See [Figure 1](#) and [Figure 8](#) (pages 6 and 11) for correct orientation for either your square or octagon canopies.

**Step 2** Place the Surface Plate in your chosen location. Install Spigot on top of Plate - Use bolts included with umbrella see [Figure 9](#).

**Step 3** Check the spirit level on the top of the Spigot.

**Step 4** Slide washers under the base to level if required. Use corrosion resistant washers.

**Step 5** Mark the position of the bolt holes on the surface.

- a. Decking: Ensure your bolts are running through a joist for stability. You may need to lift up some planks and install extra timber joists or bracing between existing joists - see [Figure 10](#).
- b. Concrete Slab: Recommended minimum depth of 100mm / 4" (reinforced) - See [Figure 11](#).
- c. It's also recommended to use washers to space the plate on the decking to allow water to escape to minimise water damage to the deck.

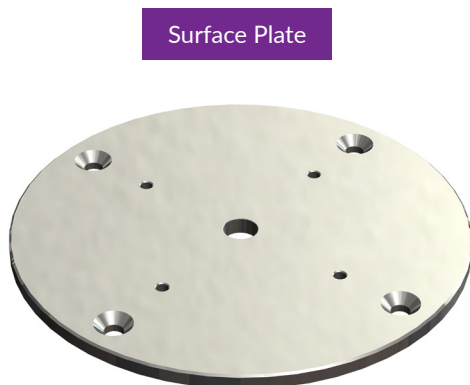
**Step 6** Drill pilot holes on the marks and check that the pilots are in the right place by laying the Surface Plate over the top of them, and then if correct, drill the proper holes.

**Step 7** Use your bolts to secure the Surface Plate and Spigot to the chosen spot.

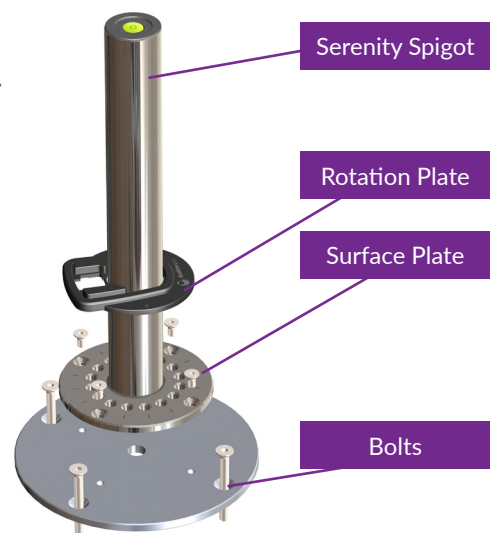
**Step 8** Slide your Rotation Plate over the Spigot and move on to **Stage 4**.

**Figure 9 - Surface Plate**

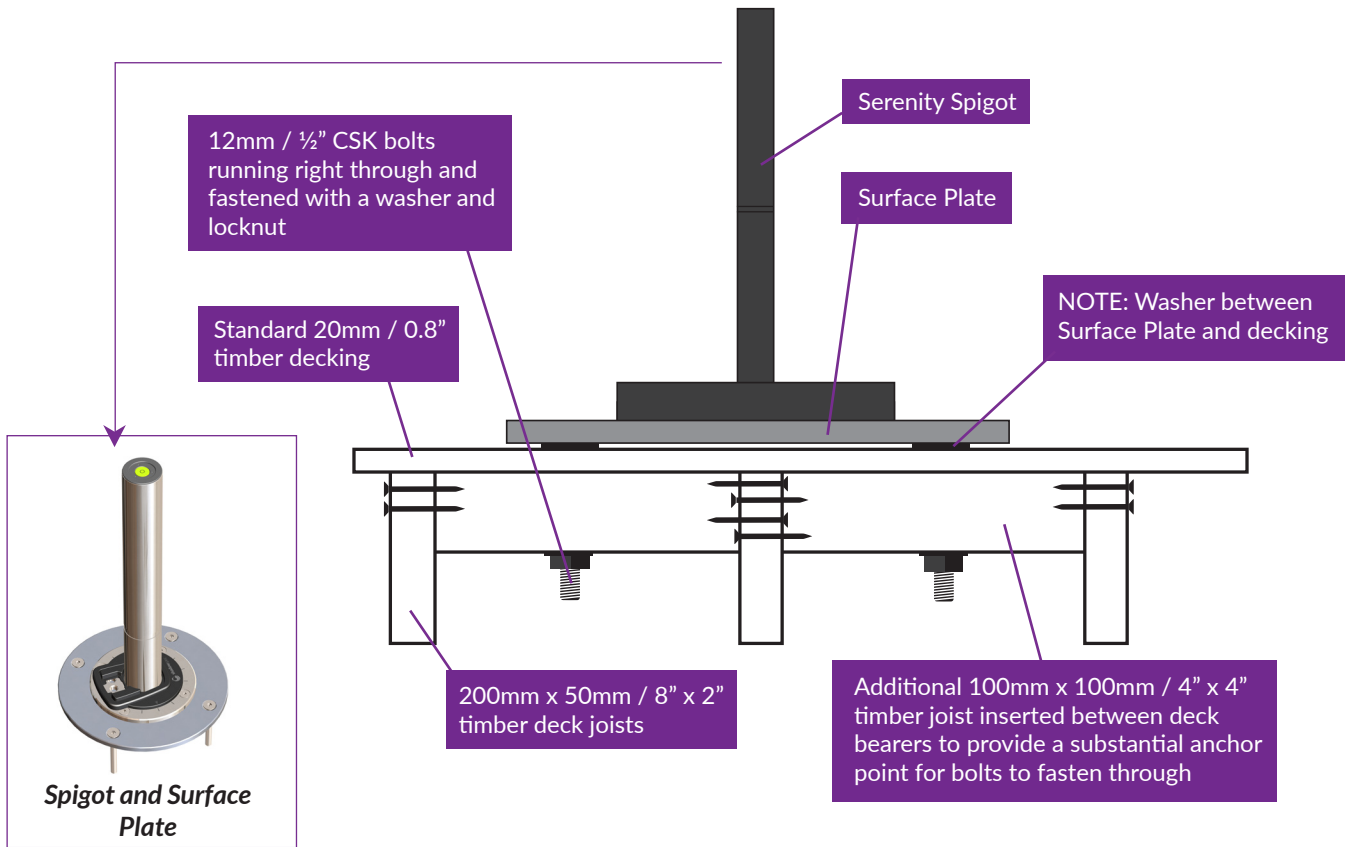
1.



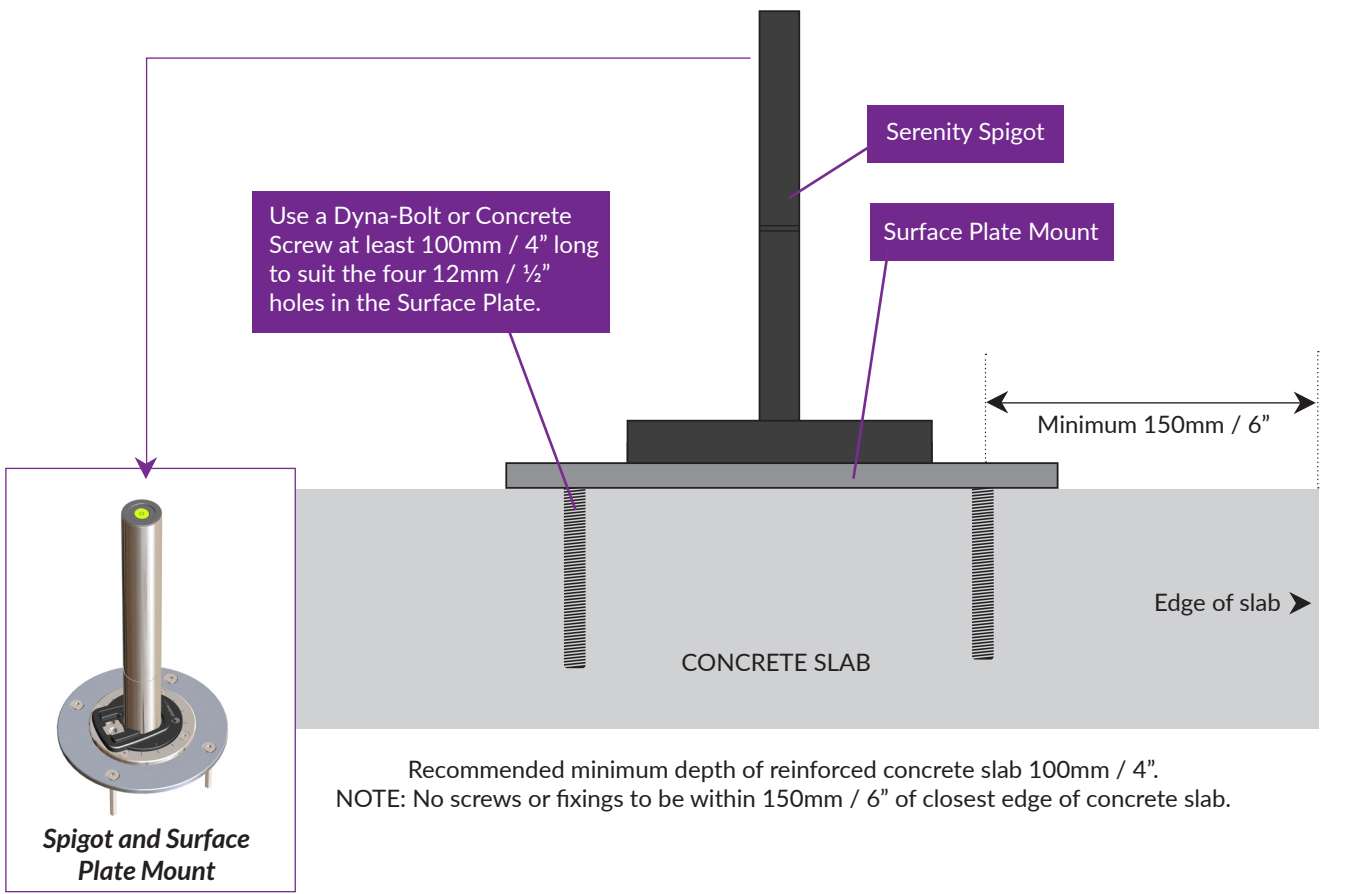
2.



**Figure 10 - Securing Surface Plate to Wooden Deck (suggestion only)**



**Figure 11 - Securing Surface Plate to Concrete Slab (suggestion only)**



## OPTION 4 - WALL MOUNT

For installation you will require:

- 4 X M16 Bolts and Washers.
- Hex Key Set - Included with umbrella.
- Additional Spanner/Socket wrench required for M16 Bolts.
- Wall Mount Bracket.

(Follow the indications on [Figure 12](#) to install the necessary parts)

- Step 1** Choose your site carefully.
- Step 2** Please ensure the wall you're mounting to is sound, strong and appropriate - seek appropriate advice if you have any reservations.
- Step 3** Affix the Spigot to the Wall Mount using the supplied bolts.
- Step 4** Position the Wall Mount against the wall but on the ground so that the weight of your umbrella is partially supported by the ground. Ensure a stable and solid support is provided by the ground - See [Figure 12](#).
- Step 5** Mark hole locations on the wall and drill pilot holes.
- Step 6** Drill holes ensuring that they are parallel to each other and secure the Wall Mount bracket to the wall.
- Step 7** Slide your Rotation Plate over the Spigot and move on to **Stage 4**.

**Figure 12 - Wall Mount**



NOTE: Refer to Spigot orientation diagram - [Figure 4](#)

## STAGE 4 ASSEMBLING AND MOUNTING YOUR UMBRELLA

### 4A) ASSEMBLING YOUR UMBRELLA:

The ShadowSpec Serenity comes fully assembled which is great! Remove the Serenity Umbrella from your box packaging and make sure you place it somewhere where the surface of your umbrella parts won't get scuffed or scratched.

You will require:

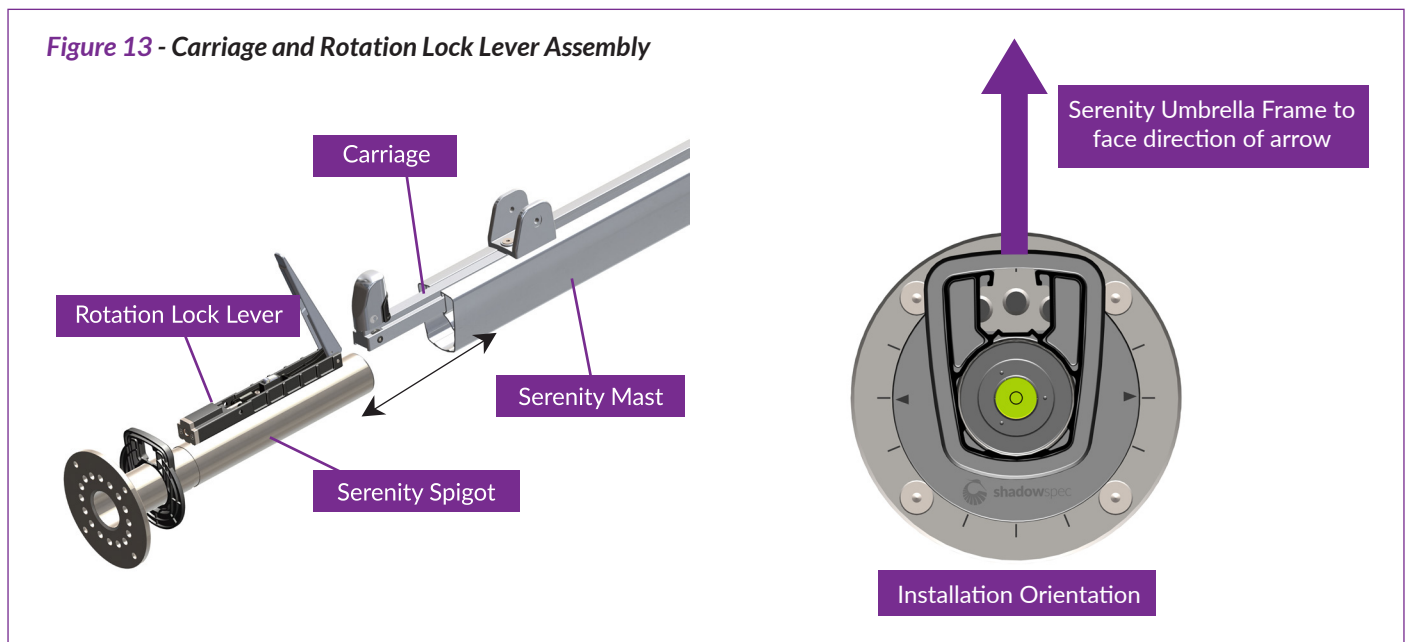
- A two person team
- Step ladder
- Hex Key Set - included with the umbrella
- Your umbrella Frame
- Your umbrella Fabric Canopy

**NOTE: Remember to install the Spigot on your chosen mounting option before proceeding.**

**Step 1** With the help of an assistant stand the Serenity Umbrella up.

**Step 2** Together now, lift the Serenity Umbrella up and manoeuvre it over the Spigot so the Mast lines up with the top of the Spigot.

**Tip:** We've supplied you with a small pot of grease to apply to the spigot.



### 4B) MOUNTING YOUR UMBRELLA

**Step 3** Lower the Mast down onto the Spigot and push it into the Rotation Plate.

**Step 4** Lift the Rotation Lock Lever and tighten the security screw all the way. You now should not be able to lift your umbrella off the Spigot.

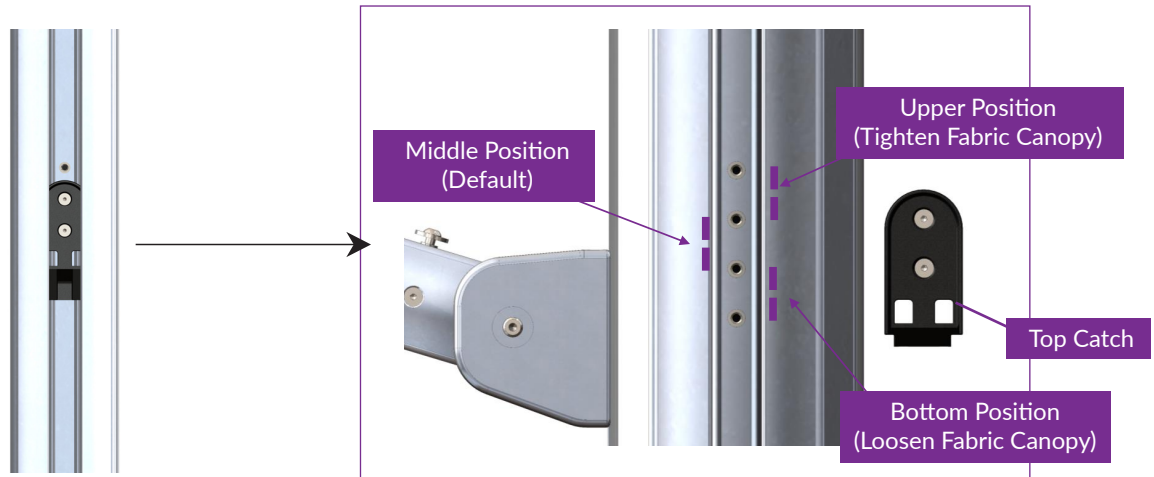
**Note:** Ensure the Mast can still rotate once the screw is tight. If not, loosen slightly.

**Tip:** Rotate the Mast until the index pin locates into the desired position hole. The lever will fall down into place - DO NOT force the lever down.

**Step 5** Slowly lift the Shadowglide Carriage up until it clicks into the fully open position. Please take care to ensure the ribs clear all objects and persons.



Figure 14 - Top Catch Permanent Operational Position



**NOTE:** Please move the Top Catch into the permanent operational position. The Middle Position is the factory default position. The Upper Position will tighten the Fabric Canopy whilst the lowest fixing position will remove some of the tension in the Fabric Canopy. Fabric Canopies tend to stretch slightly over time.

**TIP:** When new, the Fabric Canopies might require a bit more force to open. Moving the Top Catch to its lowest setting will ease this operation until the Fabric Canopy has stretched into position.

#### 4C) FABRIC CANOPY INSTALLATION:

- Step 1** Click the Shadowglide Button to release the Frame and lower it to the middle of the Mast to make it easier to attach the Fabric Canopy.
- Step 2** Using a step ladder (carefully), place the Fabric Canopy onto the Frame.  
**Tip:** Reposition the bottom velcro strip if needed so it is perfectly symmetrical onto the Through Spar.
- Step 3** Align the eyelets on the Fabric Canopy with it's correct Rib Tip and using your Hex Key, fix the Fabric Canopy in place.  
**Note:** Ensure they're tight so the do not come loose overtime.
- Step 4** Align the split in the canopy with the Through-Spar and apply the Fabric Canopy velcro to the Through-Spar, securing the canopy.
- Step 5** Align the Fabric Canopy eyelets at the base of the Through-Spar and secure the final screw to the Securing Point using your Hex Key
- Step 6** Lift the Shadowglide Carriage to the top, slowly, to test the tension of the Fabric Canopy. *See Figure 14* for tension adjustability options for the Fabric Canopy.
- Step 7** Enjoy!

Figure 15 - Fabric Canopy Installation - Before and After



## STAGE 5 OPERATING YOUR UMBRELLA

Your Shadowspec Serenity is engineered to be easy to use. Squeeze the Shadowglide Button to release the Carriage from its closed position and push it up the Mast until it locks in place.

**Step 1** To open your umbrella, push down onto the Shadowglide Button located in the Shadowglide Handle and assist the opening by pushing the Carriage with the with the palm of your hand upwards until it locks into place. see **Figure 16**.

**TIP:** Please ensure that the immediate area is free from traffic before opening or closing the Canopy.

**Step 2** To close your umbrella, squeeze the Shadowglide button to release the Carriage. Allow your umbrella to collapse by supporting the handle in the palm of your hand. Use your free arm to gather the Frame and push it towards the Mast until the Carriage locks into the closed position.

**Step 3** Once fully closed it is important that you wrap the provided Canopy Strap around the Mast and Canopy to keep it secure when not in use.

**TIP:** Use an optional Protection Cover to prolong and safeguard your investment against the elements when your umbrella is not in use.

Contact us if you would like to purchase a Protection Cover.

Figure 16 - Operating Your Umbrella



## SECTION 4 – ACCESSORIES

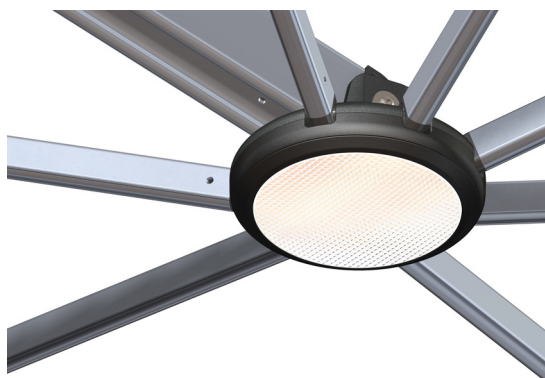
### 4A) LED LIGHTS

All Shadowspec Serenity Umbrellas are supplied with an LED Light built into the into the lower hub of each Frame - See [Figure 17](#).

The LED Light can be powered by our optional Shadowspec SS-1 Bluetooth® Smart Battery. This battery makes for easy installation without the need for electrical wiring to be installed to your umbrella. The SS-1 Smart Battery allows the user to control the LED Light via any Android mobile device using the Shadowspec App or operate the LED Light using the manual on/off button located on the end of the SS-1 Smart Battery itself. The SS-1 Bluetooth Smart Battery comes with its own 230/240 volt charger and will provide up to 8 Hours of operation on a full charge.

A permanent hard wired DC feed can be installed to your LED Light. This installation will however require the assistance of a qualified electrician. Please enquire about our optional hard wiring kit for this application.

**Figure 17 - LED Light Specifications**



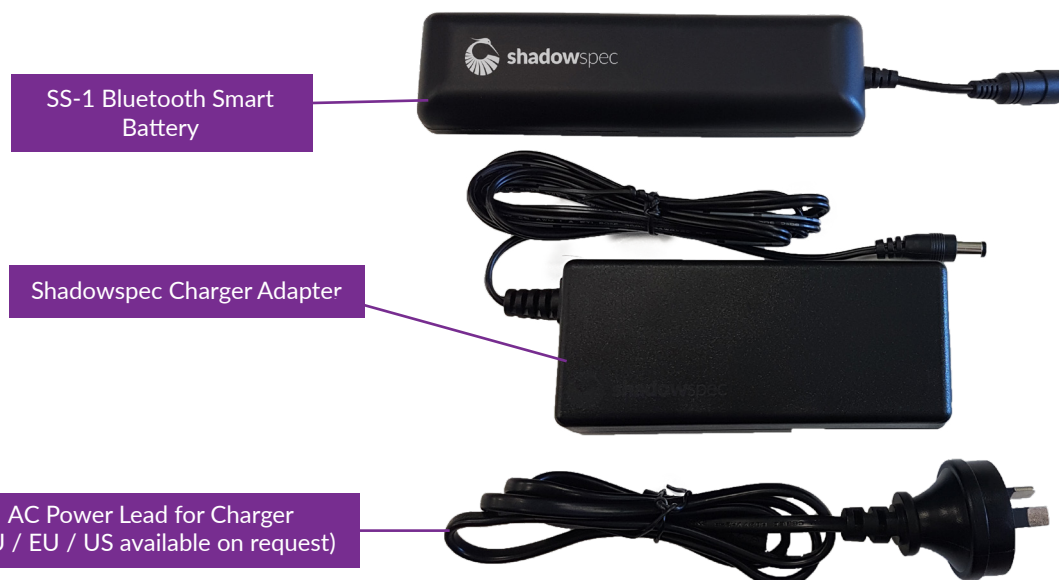
**Input voltage: 9V**  
**Power consumption: 900mW**  
**2.1mm DC Connector (Tip + / Ring -)**  
**Colour: Cold White – 6500K**

### 4B) SS-1 SMART BATTERY AND CHARGER

Included with the optional SS-1 Smart Battery and Charger is the User Manual, 1x Shadowspec SS-1 Smart Battery, 1x Shadowspec Charger Adapter with AC Lead (ensure correct power lead type ordered for region) See [Figure 18](#).

Please go to [www.shadowspec.com/smart-battery](http://www.shadowspec.com/smart-battery) for the software installation guide and Play Store download link. The Shadowspec App allows you to control your Shadowspec LED Light via Bluetooth using your Android mobile device.

**Figure 18 - SS-1 Smart Battery Kit - What is Included**

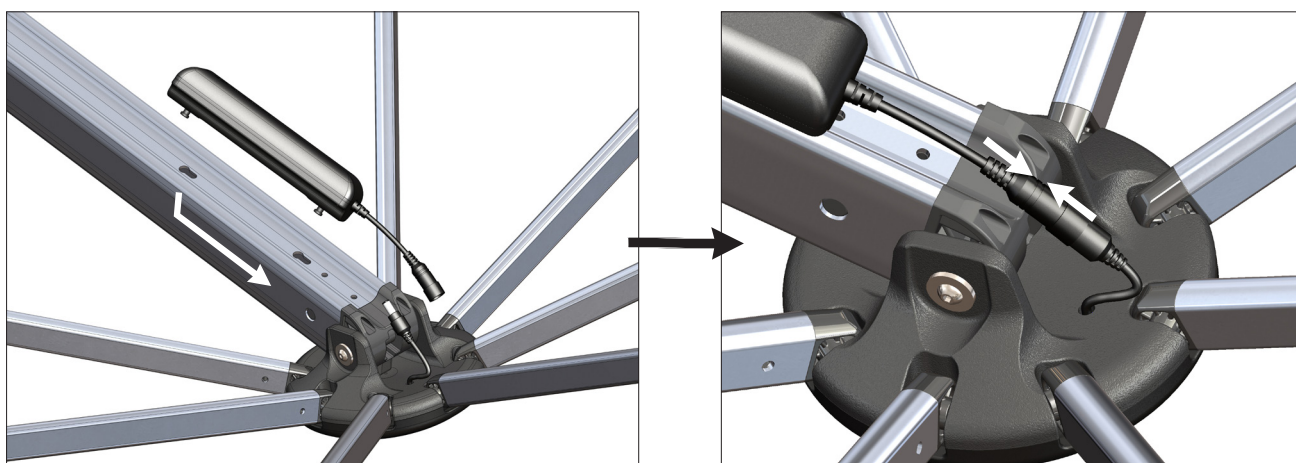


## POSITIONING AND CONNECTING THE SMART BATTERY

- Step 1** Slide the fully charged SS-1 Smart Battery onto the Main Spar at the LED-light end.
- Step 2** Plug the LED Light into the SS-1 Smart Battery (Push in all the way, ensuring a waterproof connection).
- Step 3** See the SS-1 Bluetooth LED Battery and Charger manual for software installation and Bluetooth Smart Battery pairing - this manual comes with the SS-1 Bluetooth LED Battery and Charger.
- Step 4** To remove the SS-1 Smart Battery first disconnect it from the LED Light, THEN slide the battery back to release the hooks from the key-slots. See **Figure 19**.

**NOTE:** Please contact us if you would like to purchase optional Smart Battery and Charger(s).

**Figure 19 - Plugging in the SS-1 Smart Battery**



## RECHARGEABLE SMART BATTERY CARE AND RULES FOR USE

- Only use the Shadowspec Charging Adapter to charge the Shadowspec SS-1 Bluetooth LED Smart Battery.
- Please charge your SS-1 Smart Battery completely before the very first time it is used.
- Do not charge the SS-1 Smart Battery whilst fitted to your umbrella. (Always use the AC powered charger indoors and in a dry, safe environment – charge at room temperature).
- Do not puncture the SS-1 Smart Battery as it contains a Lithium Ion Battery. Do not store your SS-1 Smart Battery on your umbrella when not in use.
- Your SS-1 Smart Battery should not be stored for long time periods when fully charged or uncharged. Optimum long-term storage condition is between 40%-50% charged.
- Do not expose the SS-1 Smart Battery to temperatures higher than +55°C.
- Do not dispose of the SS-1 Smart Battery via normal trash disposal. Please recycle responsibly.

For hardwire LED Light installation visit: [www.shadowspec.com/hardwire-kit](http://www.shadowspec.com/hardwire-kit)

# NOTICE

## Equipotential Bonding Compliance Obligation

This product is subject to Equipotential Bonding compliance in accordance with the Australian/New Zealand Standards (AS/NZS 3000: 2018 Electrical Installations) otherwise known as the Wiring Rules and the USA code, NFPA 70, National Electrical Code (NEC) – 2020 edition - Article 680. If this product is installed within arms reach (NZ/AU\*) or 5' (USA\*) of a body of water including spa, swim spa or pool, then Equipotential Bonding MUST be performed by a licensed electrical person prior to the product being used. This is a mandatory requirement. As the purchaser of this product, you are responsible for ensuring compliance with this requirement at your own expense.

\* Please verify the minimum distance required as stipulated by your specific regional regulations outside NZ/AU/USA



**shadow**spec

umbrellas with distinction

Contact our in-house shade and outdoor specialists  
for more information and advice.

**AUSTRALIA**

Australian Nest

Laverton North, Victoria

1800 144 155

[www.shadowspec.com.au](http://www.shadowspec.com.au)

**NEW ZEALAND**

Heron Base

Whangarei, Northland

0800 144 155

[www.shadowspec.co.nz](http://www.shadowspec.co.nz)

**UNITED STATES**

North American Nest

Atlanta, Georgia

844 888 5577

[www.shadowspec.com](http://www.shadowspec.com)