



shadowspec

umbrellas with distinction

SU6

MULTI-MAST CANTILEVER UMBRELLA

OWNERS MANUAL

Installation, Operation, Care and Warranty



CONTENTS

Page

SECTION 1 - Assembly, Installation & Operation	3
Stage 1 - Umbrella Location	3
Stage 1A - Planning the Umbrella Location	3
Stage 2 - Installation of the Umbrella Fixing	5
Option 1 - Portable Steel Base Fixing	5
Option 2 - In-Ground Anchor Fixing	6
Option 3 - Surface Plate Fixing	8
Option 4 - Wall Anchor Fixing	10
Stage 3 - Assembling & Mounting the Umbrella/s	12
Stage 3A - Assembling the Umbrella	12
Stage 3B - Mounting the Umbrella	12
Stage 3C - Fixing the Fabric Canopy to Umbrella Frame	16
Stage 3D - Connecting LED The Lights (optional accessory)	17
Stage 3E - Fitting the LED Light System (optional accessory)	18
Stage 4 - Operating the Umbrella	20
SECTION 2 - Umbrella Care & Maintenance	22
SECTION 3 - Warranty	23

SECTION 1 – Assembly, Installation & Operation

STAGE 1 Umbrella Location

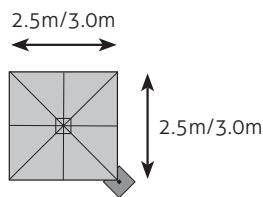
1A) PLANNING THE UMBRELLA LOCATION:

Special care is needed when selecting the best location for your umbrella.
Some key points to keep in mind are:

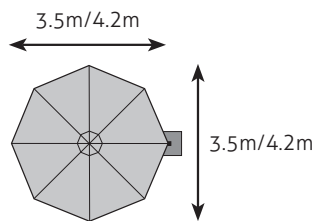
- Ensure that the location you have chosen has the umbrella in a position where it provides the best possible coverage over the area that you want shaded.
- If you are installing a SU6 Uno, Duo or Trio and wish to add additional umbrellas to the unit at a later date, ensure that you position your umbrella to allow room for this (see Figure 1).

Figure 1 - SU6 Umbrella Configurations, Area Coverage and Dimensions

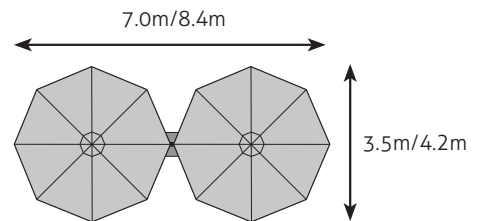
Configurations/Area Coverage:



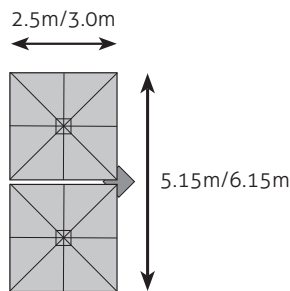
SQUARE - Uno
6.25m²/9.0m²



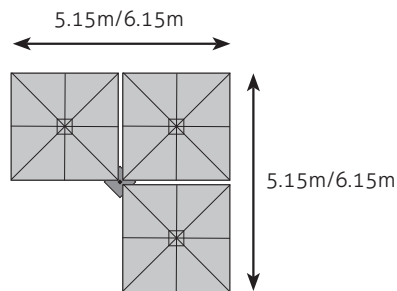
OCTAGON - Uno
9.6m²/12.5m²



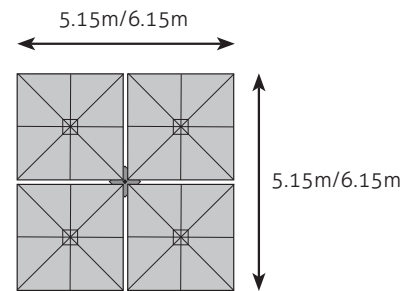
OCTAGON - Duo
19.2m²/25m²



SQUARE - Duo
12.8m²/18.45m²



SQUARE - Trio
19.5m²/27.9m²



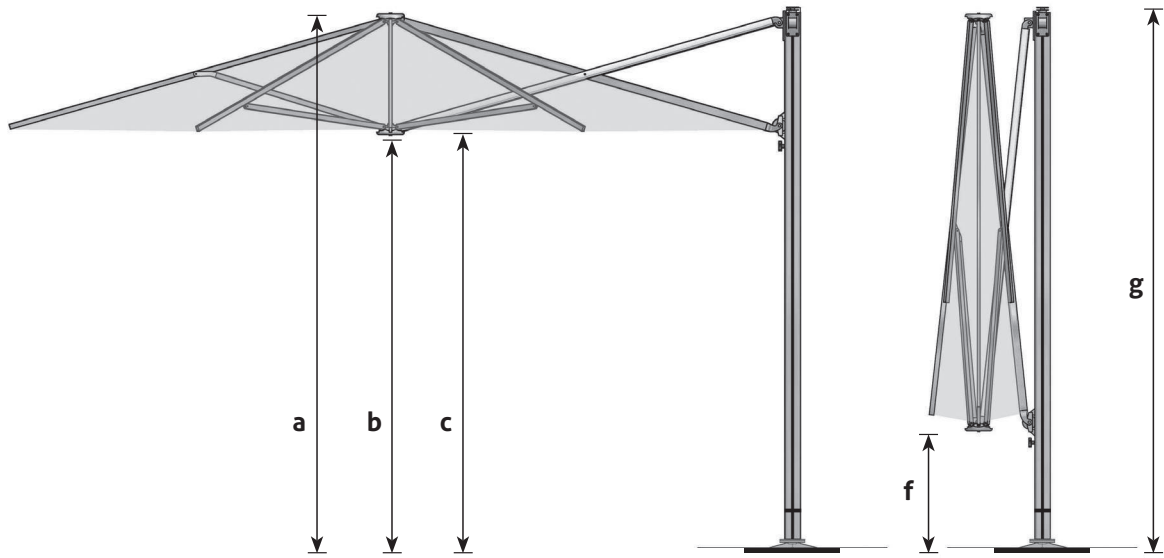
SQUARE - Quattro
26.5m²/37.8m²

Figure 1 continued next page....



Figure 1 cont...

Key Dimensions (excludes portable base - portable base increases height dimensions by 12cm):



	2.5m Square	3.0m Square	3.5m Octagon	4.2m Octagon
Dimensions of open umbrella				
a: Total height to top of canopy (cm)	+/- 292	+/- 292	+/- 292	+/- 292
b: Distance from ground to central frame hub (cm)	+/- 225	+/- 223	+/- 225	+/- 223
c: Height to lower outer edge of canopy (cm)	+/- 230	+/- 228	+/- 230	+/- 228
d: Distance from centre of mast to outside edge of canopy (cm)**	+/- 257	+/- 307	+/- 363	+/- 436
e: Diagonal distance from centre of mast to opposite / furthest corner of umbrella (diameter) (cm) **	+/- 363	+/- 436	+/- 363	+/- 436
Dimensions of closed umbrella				
f: Distance from ground to central frame hub (cm)	+/- 91	+/- 55	+/- 91	+/- 55
g: Overall height of umbrella to top of mast cap (cm)	+/- 292	+/- 292	+/- 292	+/- 292

** Refer plan diagrams in table.

STAGE 2 Installation of the Umbrella Fixing

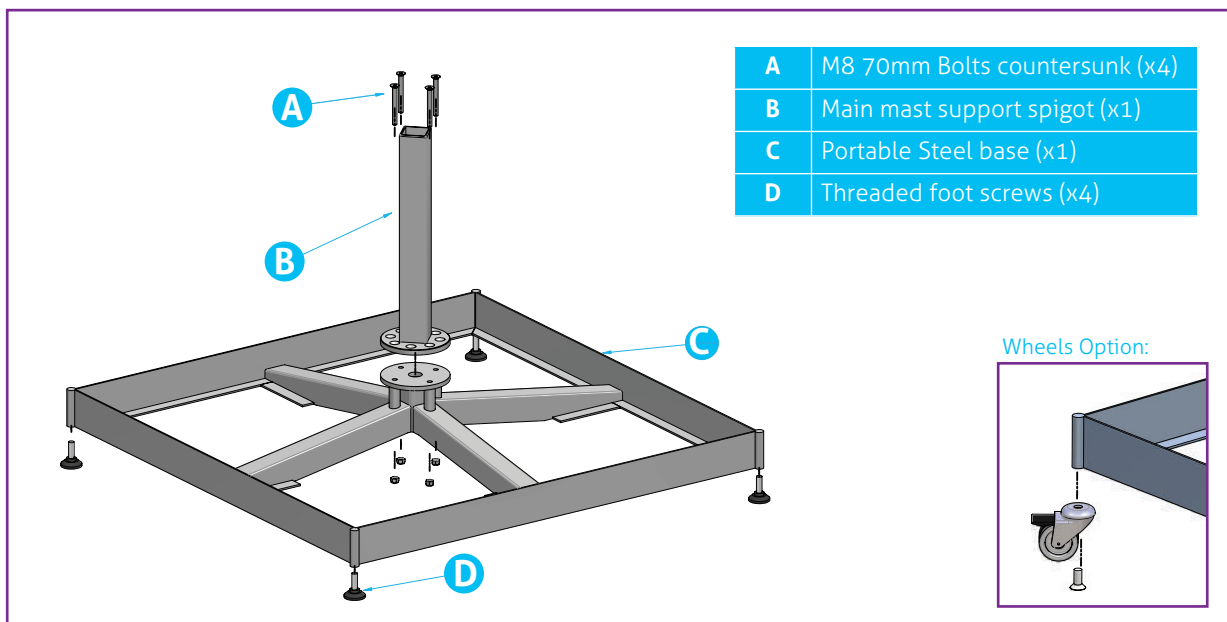
INSTALLATION OF FIXING:

Identify from the following three options below which type of fixing you are about to install and follow the instructions given. It is recommended that you read through all the instructions thoroughly before you begin and contact us if there is anything you are unsure of.

Option 1 - PORTABLE STEEL BASE

For installation you will require:

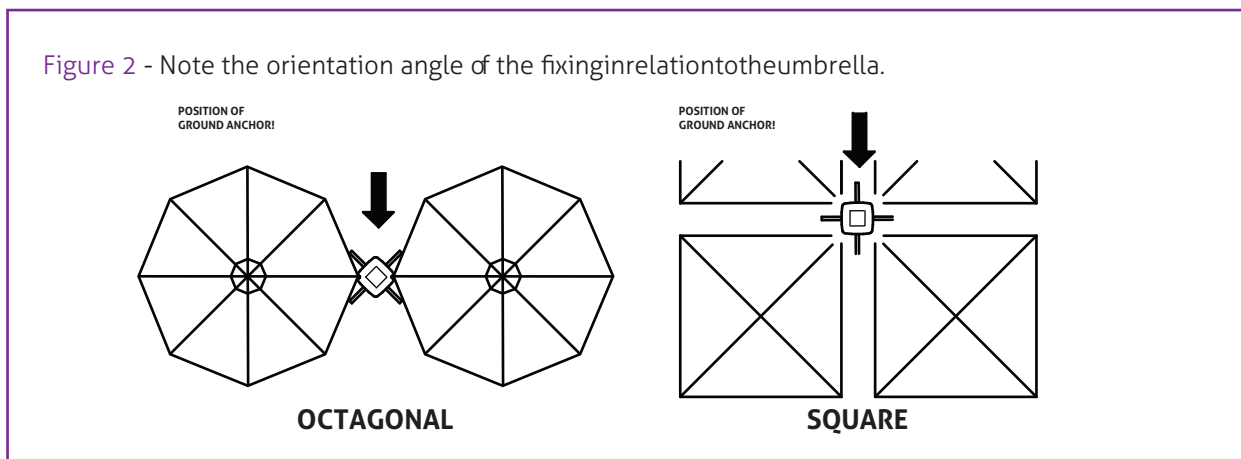
- 1 person
- Adjustable spanner
- Hex Allen key set
- The complete Portable Steel Base kit (see below - follow the indications on the diagram to install the necessary parts).



* Before installing the wheels, remove the lubricating grease from inside the corner threads of the portable base. Add 'Loctite' to the bolt threads to ensure they remain tight.

Option 2 - IN-GROUND ANCHOR FIXING

Please note below the correct orientation of the Inground Anchor installation in relation to the required orientation of the umbrellas.

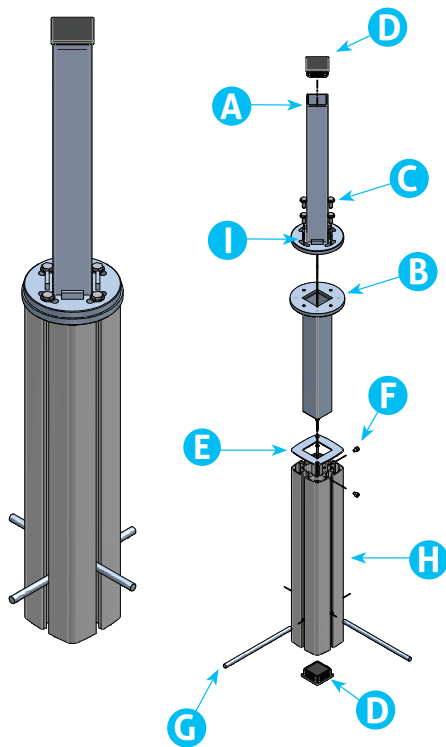




For installation you will require:

- 1 person
- Concrete mix, spade and a wheelbarrow
- Hex Allen key set
- The complete In-ground Anchor kit (see Figure 3).

Figure 3



A	Mast Support Spigot (x1)
B	In-Ground Mast Support insert (x1)
C	M8 x 20mm Screw (x4)
D	Square Hole Plug (x2)
E	Capping Plate (x1)
F	M6 x 8.0mm Allen Screws (x2)
G	Threaded Foundation Rods (x2)
H	Main In-ground Fitting (x1)
I	Adjustment Slots

* Please note that the In-ground Anchor kit is generally supplied semi-assembled.

Step 1 Choose your site carefully – ensure ground is level and that there is no risk of damaging underground utilities when you start digging.

Step 2 Dig your footing hole at least 500mmW x 500mmL x 700mmH**. It is recommended that you flare the footing hole slightly at the base for extra stability (see Figure 4).

** Please note that the dimensions stated in Step 2 above are given as a guide only. Footing requirements can differ depending on the ground composition at your property. For instance, if you are installing the anchor into topsoil or sand a larger hole may be necessary and it is best if you seek appropriate advice in regards to this. Remember the depth of the hole is just as important as the width and it is simpler to increase the size of the footing than to try and relocate it or re-stabilize it should it start to move over time. When pouring the concrete it is also advisable to insert some lengths of reinforcing steel bar into the hole to strengthen the concrete and help prevent it from cracking.

Step 3 Insert 10mm diameter Foundation Rods (G) into Main In-ground Fitting (H) (see Figure 4).

Step 4 Mix and prepare the concrete ready to pour into the hole.

Step 5 Position the In-ground fitting (H+G) in the hole ensuring that it is level/perpendicular.

HANDY TIP! To avoid excess concrete travelling up into the centre of the fitting ensure that you close off the bottom of the fitting using the square hole plug provided before positioning it in the hole.

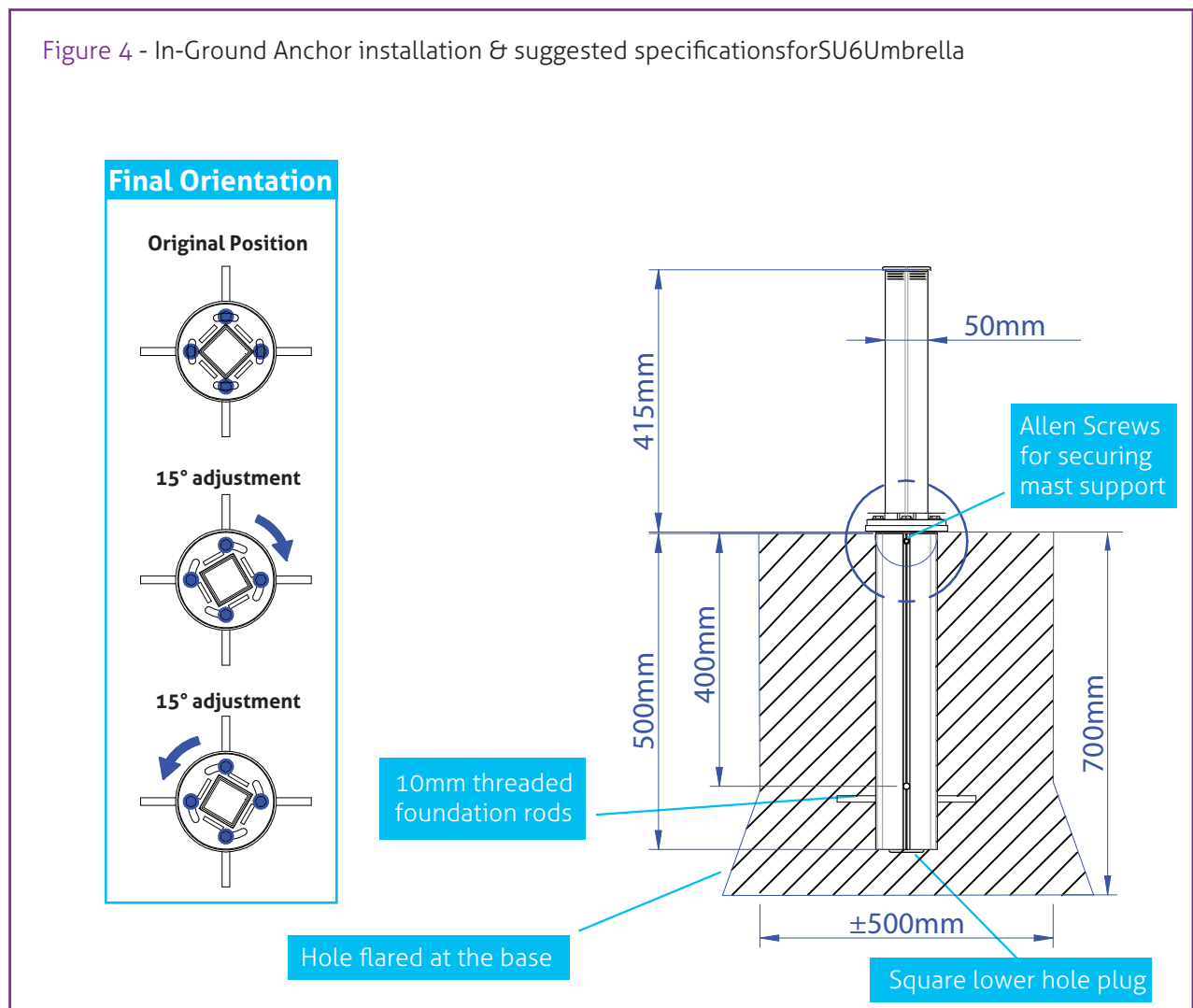
Step 6 Ensure that the fitting orientation is correct (see Figure 2) (Note: extra support may be required to ensure that the fitting remains level and orientated correctly while the concrete sets). When final orientation is set, you will have 15° adjustment either way (see Figure 4) by loosening the spigot bolts and utilising the adjustment slots.

Step 7 Pour concrete into the hole around the fitting and up to the required finished level. Scallop out a small cove in the concrete for access to screws (F) at the top of the Main In-ground fitting (H) (see Figure 4).

HANDY TIP! Before leaving the concrete to cure re-check the fitting to ensure that it is level/perpendicular and orientated correctly.

Step 8 Once the concrete is fully cured, the umbrella mast can be placed onto the spigot and fixed in place using the four screws supplied. Pre-drilled holes are located near the base of the mast inside the trolley track, two on each of the four sides of the mast.*

* Please note that for the 3.0m square umbrellas, only the lower holes can be utilised.



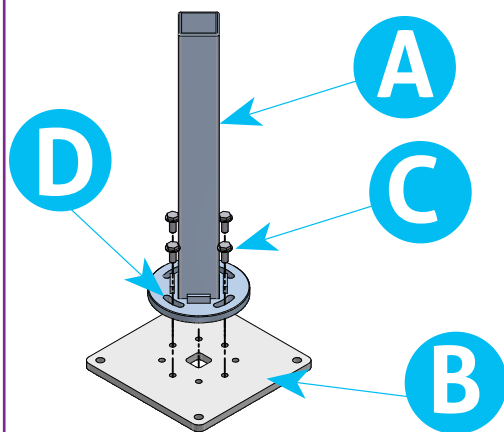


Option 3 - SURFACE PLATE FIXING

For installation you will require:

- 1 person
- 4 x 10mmØ bolts (not supplied - the type of bolts you need and the length will depend on what type of surface you are fixing the Surface Plate to and the surrounding environment)
- Hex Allen key set
- x2 adjustable spanner/wrench
- The complete Surface Plate Anchor kit (see Figure 5).

Figure 5 - Surface Plate Anchor kit for SU6 Umbrella



A	Spigot*
B	Surface Plate Fixing**
C	Spigot mounting bolts (provided)
D	Adjustment slots

** Bolts for fixing of 'B' to chosen surface not provided

Step 1 Choose your site carefully – ensure the surface that you are anchoring to is clean, level and structurally sound.

HANDY TIP! It is recommended to double check the mounting surface is level by placing the surface plate where you want it to be located and ensuring that the spigot is perfectly vertical/perpendicular.

Step 2 Place the Surface Plate where you want it to be located, ensure that the orientation is correct (See Figure 2).

Step 3 Mark the position of the four bolt holes on the surface that you are fixing to.

HANDY TIP! If you are mounting the Surface Plate to a wooden deck it is essential that all four bolts are secured through the substantial structure of the deck and not only to the deck planking. In order to achieve this some additional structural bracing may be required before the surface plate can be fitted securely (as a suggestion see Figure 6).

HANDY TIP! If you are securing the Surface Plate to a wooden deck it is also recommended that you place a washer between the bottom of the plate and the surface of the deck, this leaves a small gap to allow water to escape and reduce the risk of long-term water damage to the deck (See Figure 6).

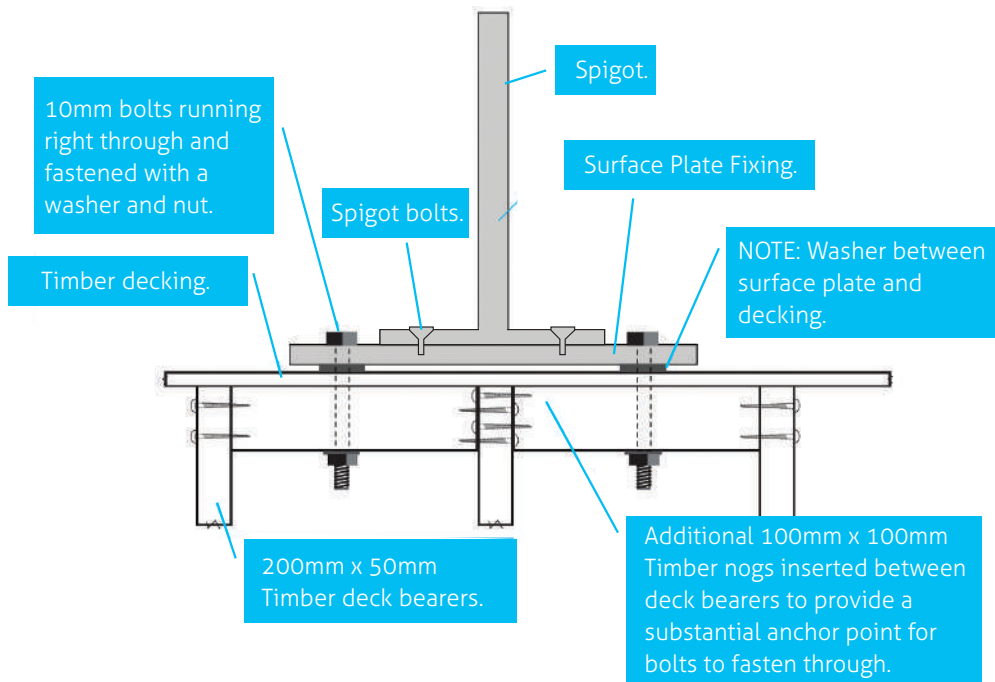
Step 4 Drill holes and secure the surface plate using 4 x 10mmØ bolts (not supplied - the type of bolts you need and the length will depend on what type of surface you are fixing the surface plate to and the surrounding environment)

Step 5 Using bolts provided, fix spigot to the surface plate fixing. If required for final positioning, use the adjustment provided by the spigot fixing bolts/adjuster slots (15° in either direction) (See Figure 5).

Step 6 Once the spigot and surface plate are secure the umbrella mast can be placed onto the spigot and fixed in place using the four screws supplied. Pre-drilled holes are located near the base of the mast inside the trolley track, two on each of the four sides of the mast.*

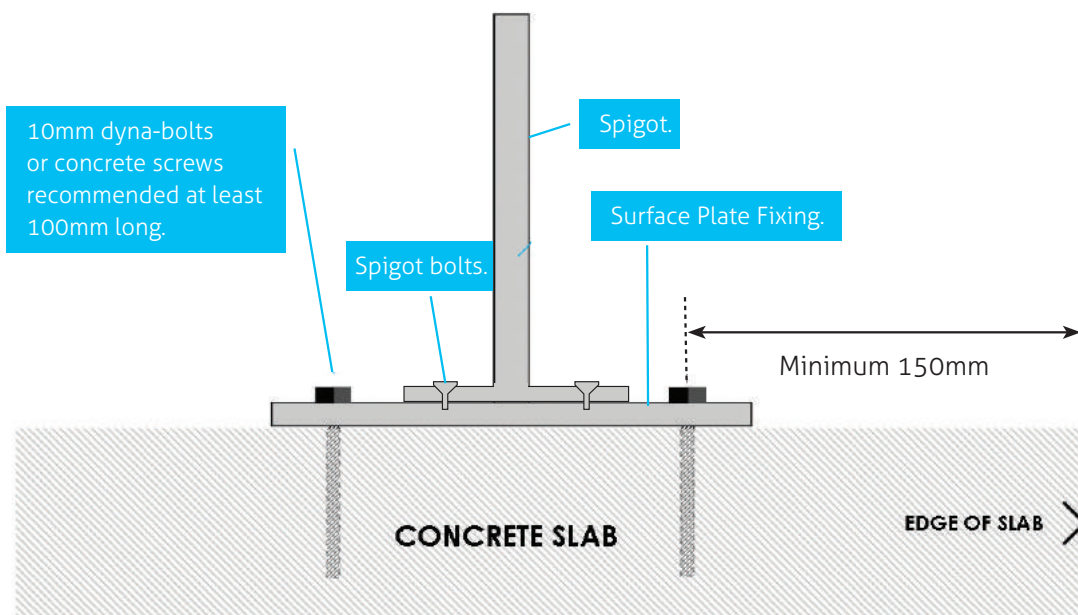
* Please note that for the 3.0m square umbrellas, only the lower holes can be utilised.

Figure 6 - Securing SU6 Surface Plate Fixing to wooden deck (suggestion only)



HANDY TIP! If you are securing the surface plate to an existing concrete pad it is important that you know the thickness of the concrete before you begin. It is recommended that the concrete be at least 100mm deep and that no screws or fixings be within 150mm of closest edge of concrete (See Figure 7).

Figure 7 - Securing SU6 Surface Plate Fixing to concrete slab (suggestion only)



Recommended minimum depth of concrete slab 100mm.
NOTE: No screws or fixings to be within 150mm of closest edge of concrete slab.

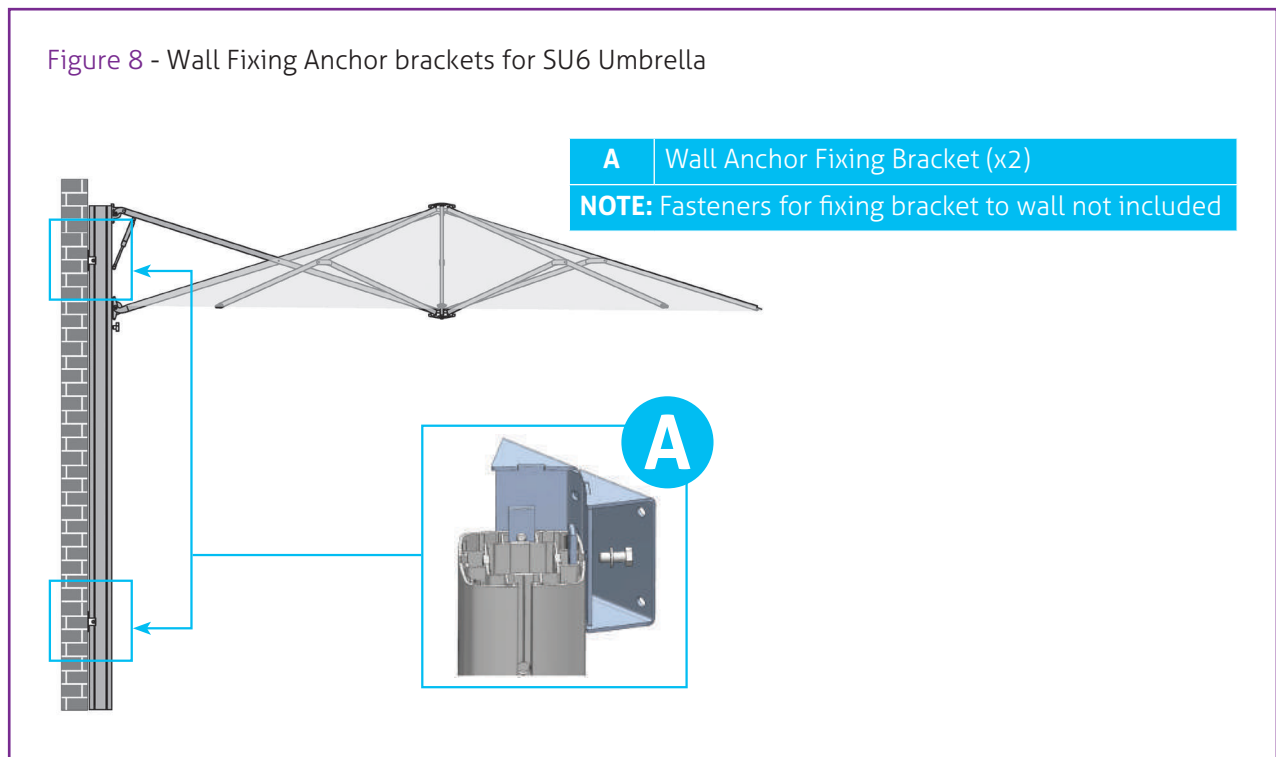


Option 4 - WALL ANCHOR FIXING

For installation you will require:

- 1 person
- 8 x screws/bolts (not supplied - the type of fastenings you need and the length will depend on the type of surface you are fixing the Wall Anchor to and the surrounding environment)
- Hex Allen key set
- x2 adjustable spanner/wrench
- The two Wall Anchor Fixing brackets (see Figure 8).

Figure 8 - Wall Fixing Anchor brackets for SU6 Umbrella



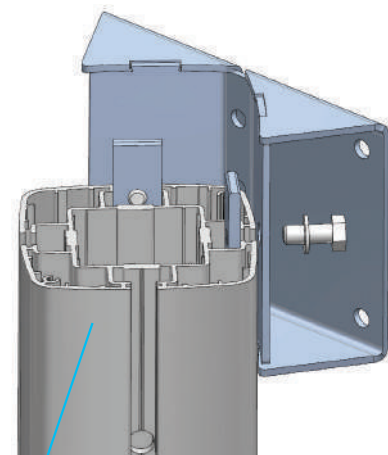
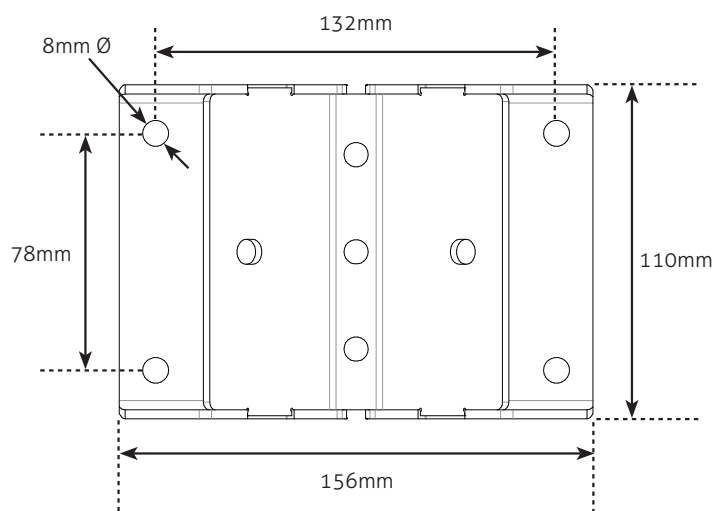
Note: This Wall Anchor Fixing option for the SU6 Umbrella is only applicable to a Uno or Duo configuration (will not work for Trio or Quattro configurations).

Step1 Choose your site carefully – ensure the surface that you are anchoring to is clean, structurally sound and has sufficient height to accommodate the height of the umbrella mast.

HANDY TIP! Fastening requirements will differ depending on the type of wall structure that you are fixing the Wall Anchor brackets to. It is recommended that you seek appropriate advice in regards to this in order to ensure that your umbrella is mounted securely.

- Step 2** Drill holes and secure the Wall Anchor brackets to the wall ensuring that they are vertically in line with each other. (Note that the height positioning of the upper and the lower bracket is somewhat variable however it is suggested that they be positioned approx 500mm from the top and bottom of the mast)
- Step 3** Once the brackets are fixed in place the umbrella mast can then be secured to the wall (see Figure 9).

Figure 9 - SU6 Wall fixing Anchor installation & dimensions*



Wall bracket inserts into umbrella mast as shown and is secured to the mast by tightening the bolts that pull the clamps tight.

* Dimensions and sizing stated above are approximate only. To avoid any errors, please double-check these measurements against the brackets you have received, prior to drilling the holes for the bracket into the wall.



STAGE 3 Assembling and Mounting the Umbrella/s

3A) ASSEMBLING THE UMBRELLA:

For this step it is easier to remove the umbrella mast off the ground spigot/wall brackets and lay it in a horizontal position.

You will require:

- 1-2 persons
- Hex Allen key set
- x2 adjustable spanner/wrench
- The umbrella mast
- The umbrella frame/s
- The assembly parts kit (supplied with each umbrella frame) (see Figure 10)
- The umbrella canopy fabric/s (if not supplied already fitted to the umbrella frame/s)

Work through the following steps carefully referring to the diagrams (see Figure 10 and Figure 11) as you do so.

- Step 1** Lay the umbrella mast in a horizontal position on the ground or on a bench with sufficient protection to ensure that the outer surface is not scratched or damaged in any way. Insert Sliding wagon (**F**) into place on mast.
- Step 2** Loosely attach frame support back-plates (**D**) and gas strut support plate (**I**) to frame support (**G**). (note, these bolts should note be fully tightened until Step 4). Insert eye-bolt (**K**) into gas strut support plate (**I**).
- Step 3** Slide the entire frame support assembly (**D+I+G+K**) into top of mast as shown.
- Step 4** Insert the two lower screws into the frame support securing it to the mast. Fully tighten all five screw bolts.
- Step 5** Fix upper main spar of umbrella frame to frame support using frame axle (**B**) and nuts (**A**) provided.
- Step 6** Fix lower main spar of umbrella frame to sliding wagon using frame axle (**B**) and nuts (**A**) provided.

HANDY TIP! If your umbrella includes the option of LED Lighting (see Figure 12) you will need to install the LED light system (see 3E, page 18) before proceeding with Step 7.
Also if you are assembling a Duo, Trio or Quattro Umbrella (mounting multiple umbrellas on one mast) you will need to repeat steps 2-7 for each unit before proceeding with step 8.

- Step 7** Fix moulded plastic mast cap to top of mast with screws provided.

3B) MOUNTING THE UMBRELLA:

- Step 8** If you have an In-ground Anchor or Surface Plate Fixing and wish to utilize the silver plastic base cover you will need to slide this onto the base of the mast (or down over the Mast Height Extension) before you replace the mast on to the anchor spigot.

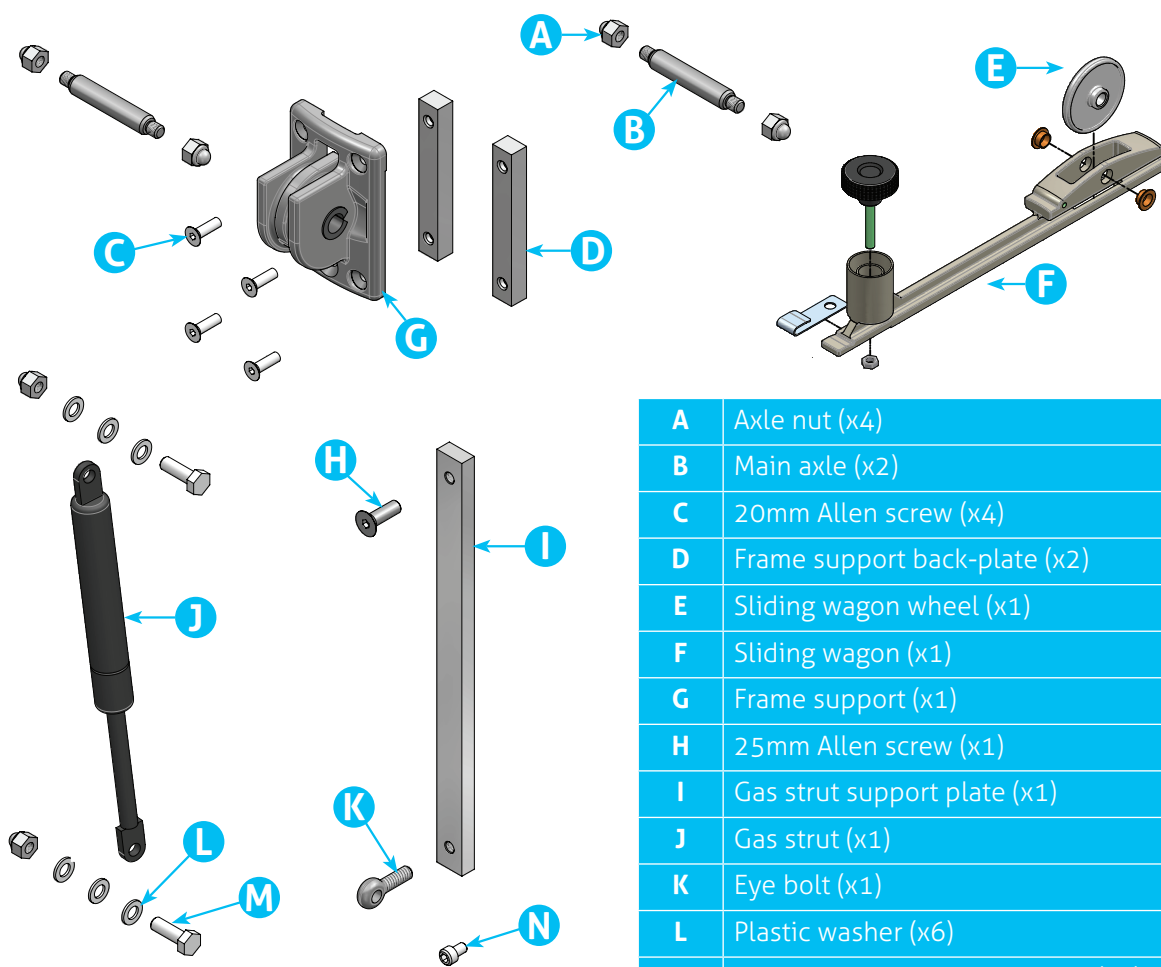
At this point you will also need:

- Another person (recommended)
- A step ladder

- Step 9** Lift and slide Umbrella mast (now complete with frame attached) back on to the anchor spigot or in the case of the Wall Fixing, secure the mast to the Wall Fixing brackets on the wall.
- Step 10** Slide the sliding wagon (F) up the mast, raising the umbrella and lock in position once the sliding wagon (F) is approximately midway past the hole for the stopper screw (refer to pictorial, Step 12, page 15). Lock the sliding wagon in position using the tightening wheel.
- Step 11** Attach the gas strut ensuring that it is positioned the correct way up as shown.
- Step 12** Once the gas strut is secure the screw stopper can be inserted in place.
- Step 13** If you have the optional fabric rain gutter system (applicable only for the Square Duo, Trio or Quattro configurations) this can now be fitted to the umbrella/s by zipping into place.

HANDY TIP! Umbrellas with rain gutter systems fitted must be raised and lowered simultaneously

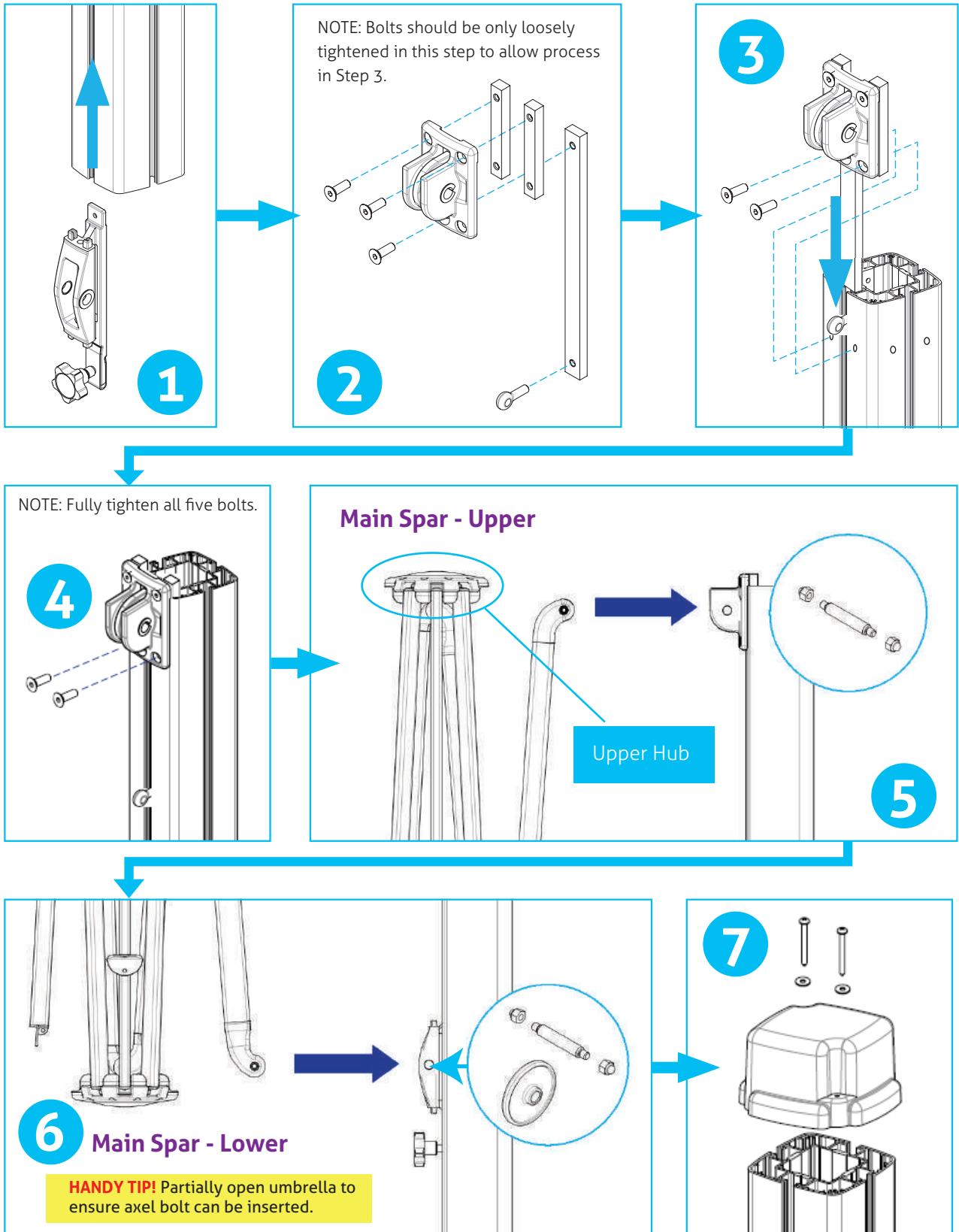
Figure 10 - SU6 Parts kit - small parts identificationlist

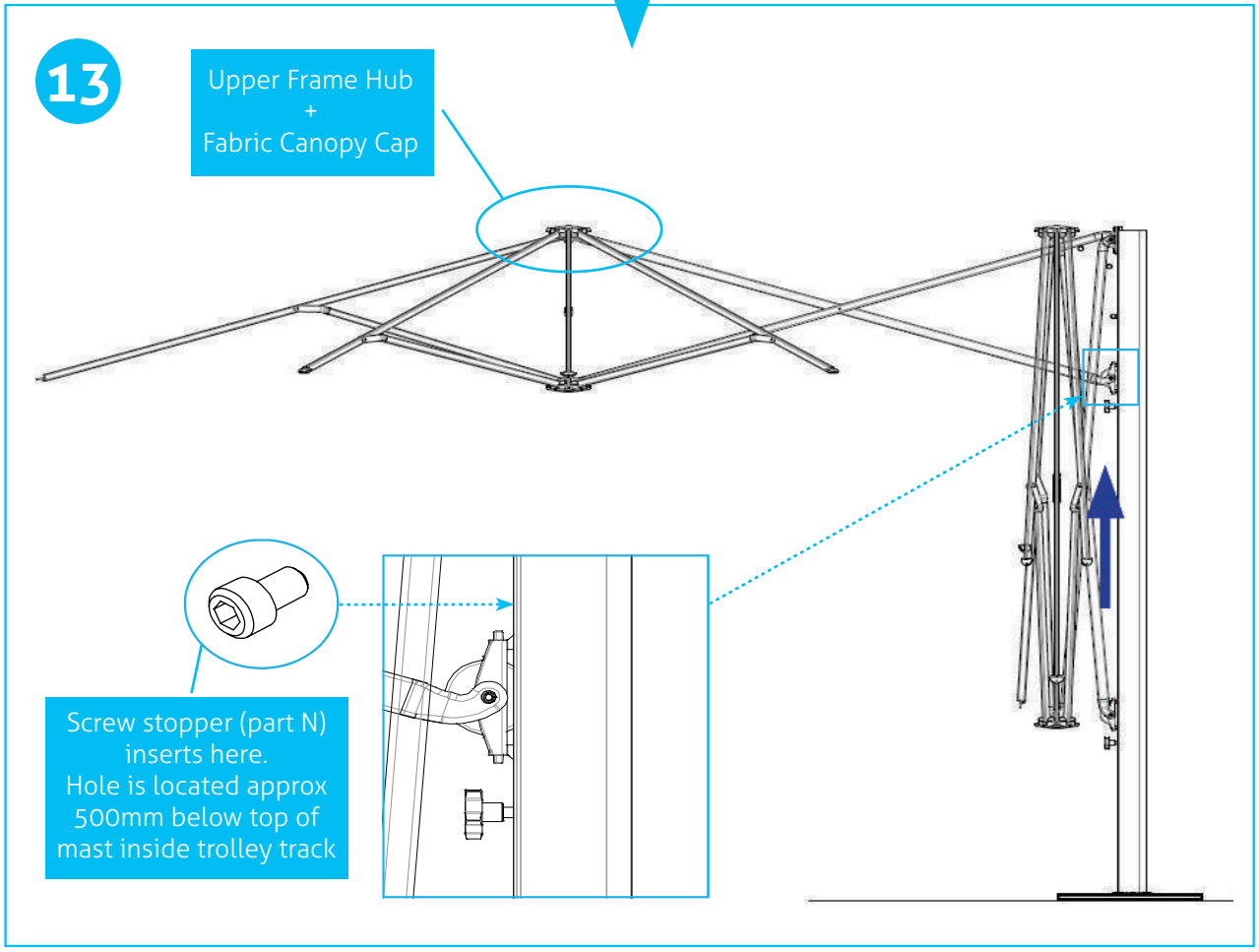
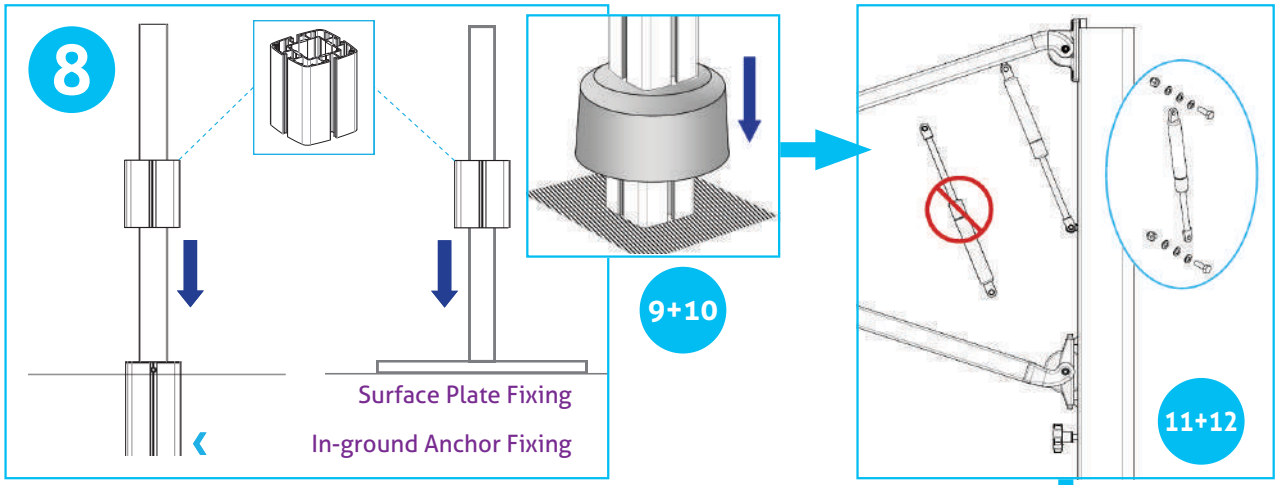


A	Axle nut (x4)
B	Main axle (x2)
C	20mm Allen screw (x4)
D	Frame support back-plate (x2)
E	Sliding wagon wheel (x1)
F	Sliding wagon (x1)
G	Frame support (x1)
H	25mm Allen screw (x1)
I	Gas strut support plate (x1)
J	Gas strut (x1)
K	Eye bolt (x1)
L	Plastic washer (x6)
M	Gas Strut mounting bolt & nut (x2)
N	Stopper screw (x1)



Figure 11 - SU6 Assembly, step by step attaching umbrella to mast







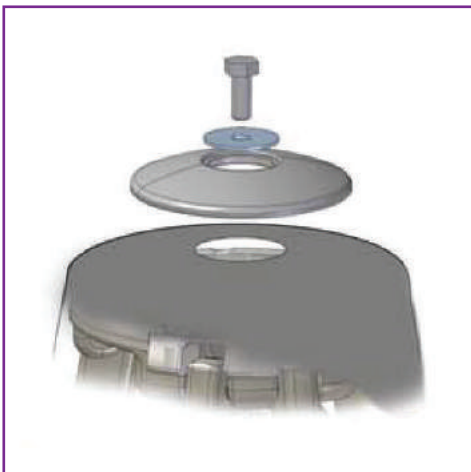
3C) FIXING THE FABRIC CANOPY TO UMBRELLA FRAME

HANDY TIP! Your Umbrella may possibly be supplied with the fabric canopy already fitted to the frame. If so, then you can simply use this section as a reference if you ever wish to remove the fabric canopy (ie: to clean it). If the fabric canopy is supplied separate to the frame, work through these simple steps to install the fabric to the frame for the first time.

- Step 1** Remove the fabric canopy from its packaging and unfold it out on a clean surface.
- Step 2** Locate the fabric corner that has the oval brass / nickel eyelet in it. This is the corner that will be located on the umbrella frame at the point closest to the mast.
- Step 3** Locate the centre/apex of the fabric canopy with the hole & circular support ring.
- Step 4** With the umbrella frame semi-open, using a step ladder or something similar to safely access the top of the umbrella, spread the fabric canopy over the top of the umbrella frame, positioning the hole that is in the centre of the fabric canopy directly over the upper hub (refer Fig 11, Step 5) of the frame.
- Step 5** While maintaining the position of the centre of the fabric canopy approximately as outlined in Step 4, orientate the fabric so that the corner with the oval brass / nickel eyelet (mentioned in Step 2) is positioned over the Lower Main Spar attached to the mast.
- Step 6** Once the fabric canopy is orientated to its correct position, proceed with inserting the ends of the individual frame struts each into its own relevant fabric pocket located around the underside perimeter of the fabric canopy.

* Please note: As the fabric canopy is made to fit relatively taut over the frame, the last 2-4 struts to be inserted into their pockets may take more effort than the first ones. At the point where each pocket is located, pull the edge of the fabric canopy down with sufficient force to enable the spoke to slot into its pocket.

- Step 7** Take the corner of the fabric canopy with the oval brass / nickel eyelet (as mentioned in Step 2) and fit it over the turn button fastener fixed to the upper surface of the Lower Main Spar (refer Fig 11, Step 6). Turn the turn button fastener so the eyelet & canopy are locked in place. Ensure the Velcro fabric overlap up the length of the main spar and the 'chute' where the upper main spar protrudes through the fabric canopy are correctly fitted and positioned.
- Step 8** Return the umbrella to fully closed position, then using a step ladder or something similar to safely access the top of the umbrella, ensure that the hole in the centre of the fabric canopy is directly over the threaded hole in the upper frame hub (refer Fig 11, Step 5). Bolt the fabric canopy cap firmly in position over the top of the fabric, as shown below.



3D) CONNECTING THE LED LIGHTS (Optional Accessory):

The LED Lights which are an optional accessory offered for the SU6 Umbrella are fitted to the centre lower hub of the umbrella at the time of manufacture (see Figure 12).

Figure 12 - LED Lights



As part of the umbrella assembly process, if your umbrella has the optional LED lights fitted, the electrical cable connected to the LED Light which is incorporated within the umbrella frame will require connecting to the Control Box Unit (supplied) which in turn will require connecting to an external 230/240V power supply.

IMPORTANT NOTE! Any 230V/240V wiring for electrical connections must be carried out and certified by a qualified electrician.

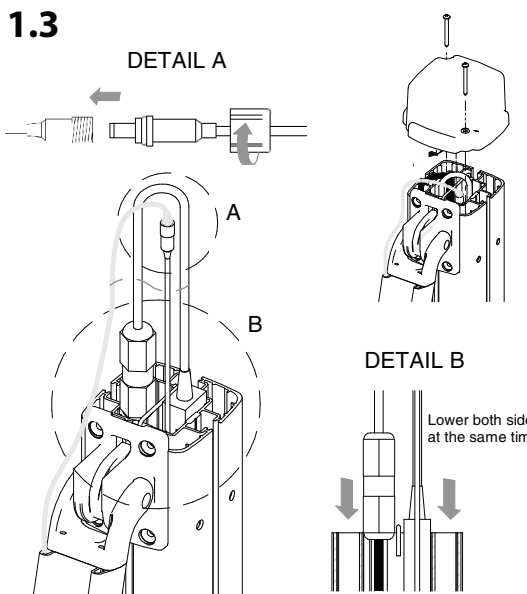
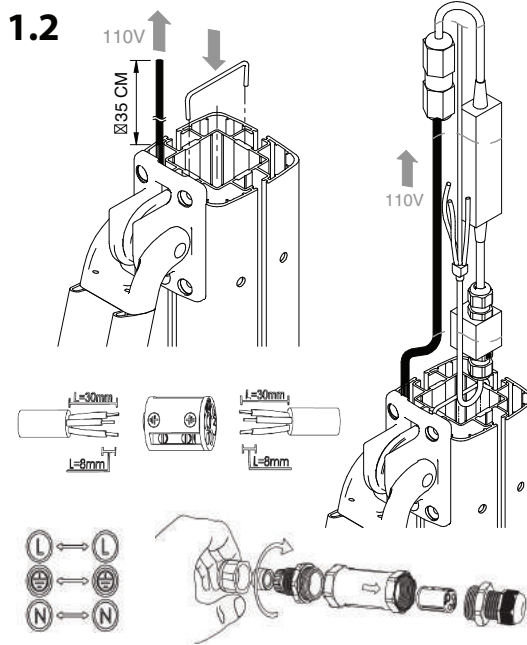
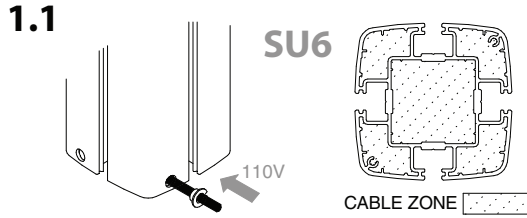
HANDY TIP! Steps 1 - 3 of this Connecting LED Lights process are best done between Steps 7 and 8 of the main assembly process (3A - Assembling The Umbrella).

Step 1 Unscrew the lid off the control box unit and remove the electrical circuit board from the base of the plastic casing box. (See Figure 13)

HANDY TIP! The electrical circuit board may be wedged in the base of the plastic casing box quite tightly but can be gently levered out with the help of a screwdriver or similar.



3E) FITTING THE LED LIGHT SYSTEM (Optional Accessory)



MOUNTING INSTRUCTION LED KIT 110V

1. MOUNTING LED KIT SU6110V

1.1. Mounting the 110V power cable

STEP 1 The power cable can be mounted into the 4 corners or in the central part of the pole. The total needed cable length, measured as from the floor, is 3m for a 2.60m pole and 3.20m for a 2.85m pole. You can find a nylon guide string in one of the 4 corners of the pole. Tie the end of the power cable to the nylon guide string. Pull the power cable through the pole carefully.

Caution: Do not pull too hard since this can rupture the connection between the guide string and the power cable or damage the power cable.

Caution: The provided areas for the power cable are indicated. Please only use these zones to insert the cable.

1.2. Connecting the 110V power cable

STEP 1 The power cable needs to stick out about 35cm at the top of the pole in order to make the connection.

STEP 2 Mount the metal bracket at the top of the pole (see drawing 1.2)

STEP 3 Unscrew the connector so that the internal parts appear.

STEP 4 The LED kit is already connected to the connector. The power cable should be connected to the other side of the connector by using a small screwdriver.
Caution: Make sure to always connect matching cables L-L / N-N / PE-PE

STEP 5 Once the connection is made, close the connector by using wrenches size 24.

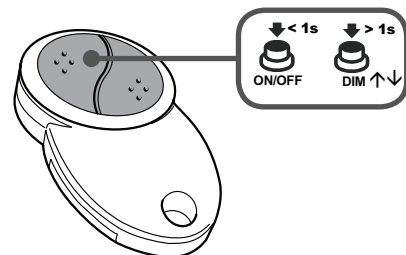
Caution: Make sure the connector is closed tightly after connecting. This guarantees a waterproof connection.

1.3. Connecting the LED cable and mounting LED kit

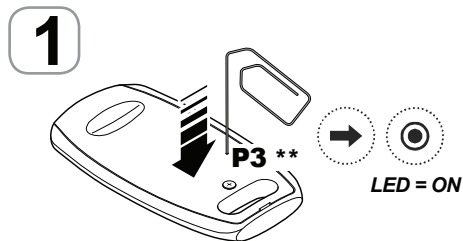
STEP 1 In order to lower the LED kit into the pole, grab it in one hand, the transparent cable facing down and the black power cable facing up. Make sure that the 4 transparent female connectors of the LED cable go back upwards along the LED kit. Grab the connector into the other hand. Lower both parts, each at one side of the metal bracket, into the pole. (Detail B). This way, the LED kit is suspended over the metal bracket with the power cable.

STEP 2 Connect the female connectors of the LED kit coming out of the pole to the male connectors of the LED cables coming out of the frames as indicated in DETAIL A. Close them tightly to guarantee a waterproof connection.

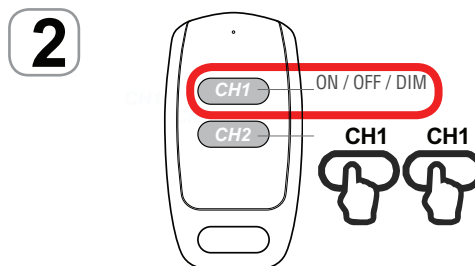
STEP 3 Put the top cover on the pole by using the 2 supplied screws.



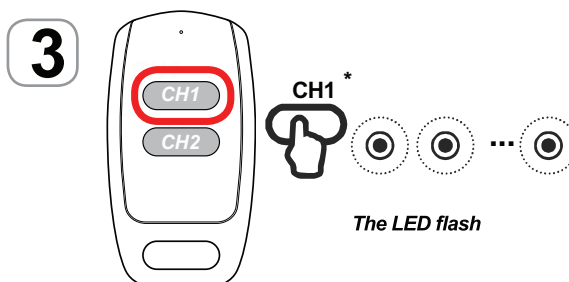
Remote memorization of further radio codes



Press the button of the transmitter.

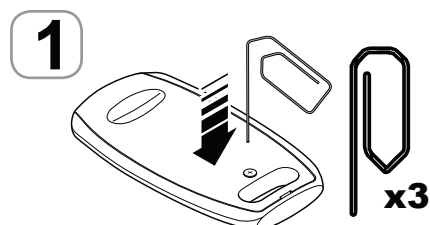


Press CH1 button twice of the transmitter.

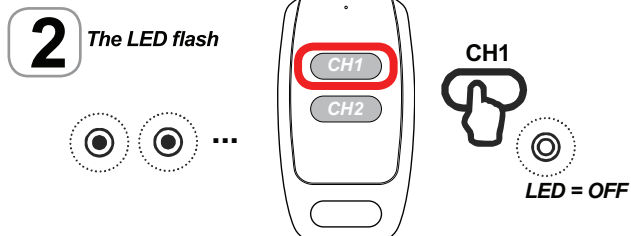


Press the CH1 button once for the transmitter to memorise.


Remote deletion of a radio code



Press the button three times of the memorized transmitter.



Press the CH1 button once for the transmitter to delete.

Power supply	24V 
Max power output	35W
Operating temperature range	-20°C - +50°C
Reception frequency	916MHz
Radio memory capatibility (transmitters)	42
Protection rating	IP54



STAGE 4 Operating the Umbrella

The SU6 Umbrella is designed to be operated by one person.

The gas-strut allows the umbrella to be opened and closed in one easy sliding movement. Simply release the sliding wagon by rotating the locking grip anticlockwise (see Figure 16) and push the sliding wagon up the mast until it hits the stopper screw.

HANDY TIP! Due to the stopper screw being of minor detail it is often overlooked when assembling the umbrella. You can insert it now if you haven't already. The stopper screw is included in the parts kit.

The hole for the stopper screw is located approx 500mm below the top of the mast and inside the trolley track (see Figure 11, Step 13).

At the point where the sliding trolley makes contact with the stopper the umbrella should be fully extended and the fabric canopy should be firm and taut.

Secure the sliding wagon by twisting the locking grip clockwise.

This procedure should take no more than a few seconds (see Figure 16).

To close the umbrella simply release the locking grip (turn anti-clockwise), slide the trolley down the mast until the umbrella is fully closed and tighten the locking grip (clockwise) once again.

HANDY TIP! If your SU6 Umbrella is a Duo, Trio or Quattro configuration (multiple umbrellas on one mast) then the same procedure is required for raising & lowering each umbrella. If the umbrellas are connected with a raingutter/s they will need to be raised and lowered simultaneously.

For more information on how to operate your umbrella please visit our website and view the SU6 product demonstration video. You can view these videos at any time by visiting www.shadowspec.com/videos/

Figure 16 - Raising and lowering the umbrella



SECTION 2 – Umbrella Care and Maintenance

Regular care and maintenance of your umbrella is essential.

The following points will assist in keeping it looking smart and clean while also ensuring its ongoing performance and reliability.

- Always place the Protection Cover over the umbrella when not in use.
- Close and cover your umbrella in adverse conditions, this includes rain, snow, hail and high wind.
- Take care when opening or closing the umbrella, always check for obstacles first (ie: trees, ladders, furniture, people).
- Umbrella should never be left stored/collapsed for long periods while wet. Always ensure that the fabric is thoroughly dried before storing or closing for long periods of time.
- Any early signs of mould or mildew must be removed immediately.
- Umbrella canopy is removable and fully washable. Clean fabric using cold or warm water and mild natural soap. Always rinse thoroughly and leave to dry in the open air – **do not** put in clothes dryer.
- Never clean any part of the umbrella with a corrosive/abrasive product or a high pressure hose.
- Never use waterproofing or cleaning sprays on umbrella fabric without seeking appropriate advice first.
- All moving parts on the umbrella are best maintained with an annual application of dry lubricator, such as dry contact silicone spray.

FABRIC CLEANING INSTRUCTIONS:

SHADOWSPEC Umbrella canopies are manufactured from some of the most durable and state-of-the-art marine fabrics and threads available, including Sunbrella and Dickson-Constant acrylic fabrics, along with other proven high-performance, UV stable materials. SHADOWSPEC Umbrella canopies should be cleaned regularly before dirt is allowed to accumulate and become embedded in the fabric. The fabric canopy can be cleaned without being removed from the frame, however, the canopy can be completely removed from the frame if preferred. Simply brush off any loose dirt or particles, hose down and clean with a mild soap in lukewarm water (no more than 37° C.) Rinse thoroughly to remove soap. Allow fabric to air dry. Do not use heavy detergents.

For stubborn stains, '303' Fabric Cleaner is recommended although as with any cleaner, it is advisable to trial a small area of the fabric first to ensure no adverse effect or discolouration occurs.

Following cleaning it is also then advisable to re-treat the fabric with a water repellency application again. We recommend '303' Protectant for this purpose.

When washing or cleaning, DO NOT SUBJECT TO EXCESSIVE HEAT as the fabric will shrink. DO NOT STEAM PRESS OR DRY IN ELECTRIC OR GAS DRYERS, but allow air to dry. In cases where the umbrella is taken down and stored during the winter season, the canopy should be cleaned, allowed to air dry, and stored in a dry, well ventilated area. A Protection Cover should be used at all times when umbrella is not in use to ensure the longest serviceable life.





SECTION 3 – Warranty

SHADOWSPEC umbrellas are produced with the greatest care and meet the strictest quality standards.

THE SHADOWSPEC WARRANTY

Unicrest Group Ltd guarantees that Shadowspec umbrellas that are installed in accordance with our guidelines will be free of defects in materials and workmanship for the period of time as set out and specified in the table below:

	Umbrella Fabric	Umbrella Frame
Shadowspec SU2	2 Years	4 Years
Shadowspec SU3	2 Years	2 Years
Shadowspec SU4	3 Years	3 Years
Shadowspec SU6	5 Years	5 Years
Shadowspec SU7	5 Years	5 Years
Shadowspec SU10	5 Years	3 Years

*‘Fabric’ warranty relates to the umbrella fabric canopy. Protection Cover warranty is 2 years for all models

Please note:

In the case of commercial applications, the guarantee shall be a period of 2 years or the above specified period (whichever is the lesser) from the date of the invoice.

The obligation of Unicrest Group Ltd under this guarantee is limited to faulty manufacturing, defective materials and mechanical failure when the umbrella has been used and cared for appropriately from the date of invoice. If an umbrella is repaired under guarantee the guarantee period will not be extended.

Unicrest Group Ltd shall, at its sole discretion, determine whether repair or replacement is appropriate.

This warranty does not cover the following:

- Damage caused by an accident, negligence, storm, wind, accumulation of water or snow, incorrect installation, not following the maintenance instructions, incorrect use or natural ageing and fading.
- Damage caused by exposure to hazardous atmospheric situations due to industry or a high slat level.
- Small colour variations between the fabric and the colour samples and between the components and profiles, which are caused by the manufacturing process.
- Damage to a third party.
- Repair costs by a third party.

To avoid possible wind damage, it is recommended that your SU6 umbrella be closed in wind gusts exceeding 40km/h. This is subject to the umbrella being sufficiently anchored.

This warranty does protect against the umbrella canopy fabric becoming unserviceable due to strength loss from normal usage and exposure conditions.

The foregoing sets out the extent of this guarantee.

Unicrest Group Ltd shall not otherwise be liable or responsible for any direct, indirect, incidental or consequential damage, costs or losses of any kind arising out of or in connection with the umbrella or components or for any delay by Unicrest Group Ltd or the component manufacturer in undertaking repairs or replacement under this guarantee.

Except as expressly provided herein, all other warranties, representations, conditions, undertakings, rights, duties or liabilities, whether arising by implication of law or otherwise, are hereby expressly excluded.

If you need to make a warranty claim, please contact Unicrest Group Ltd directly or via the agent you purchased through.

New Zealand

Ph: 0800 144 155

Email: info@shadowspec.co.nz

www.shadowspec.co.nz

Australia

Ph: 1800 144 155

Email: info@shadowspec.com.au

www.shadowspec.com.au

USA

Ph: 844 888 5577

Email: info@shadowspec.com

www.shadowspec.com





shadowspec

umbrellas with distinction

Contact our in-house shade and outdoor specialists
for more information and advice.

AUSTRALIA

Australian Nest

Laverton North, Victoria

1800 144 155

www.shadowspec.com.au

NEW ZEALAND

Heron Base

Whangarei, Northland

0800 144 155

www.shadowspec.co.nz

UNITED STATES

North American Nest

Atlanta, Georgia

844 888 5577

www.shadowspec.com